



## Vertical and horizontal freezers BELUGA



### Product categories



### Technical features

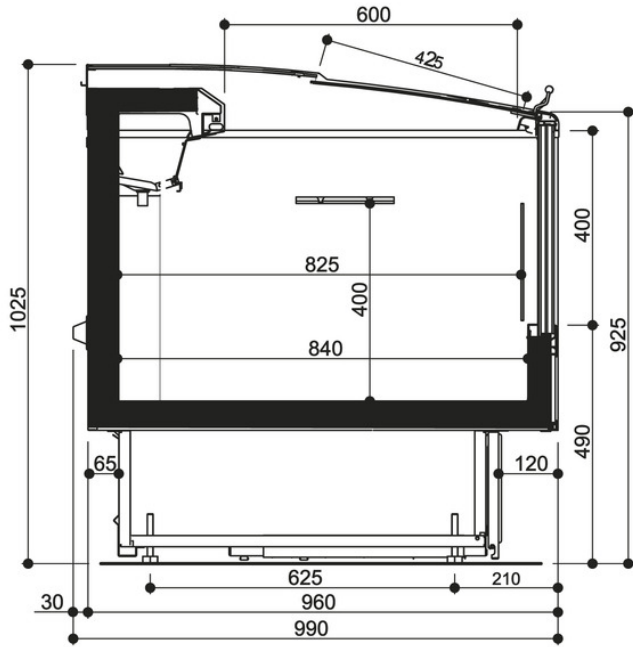




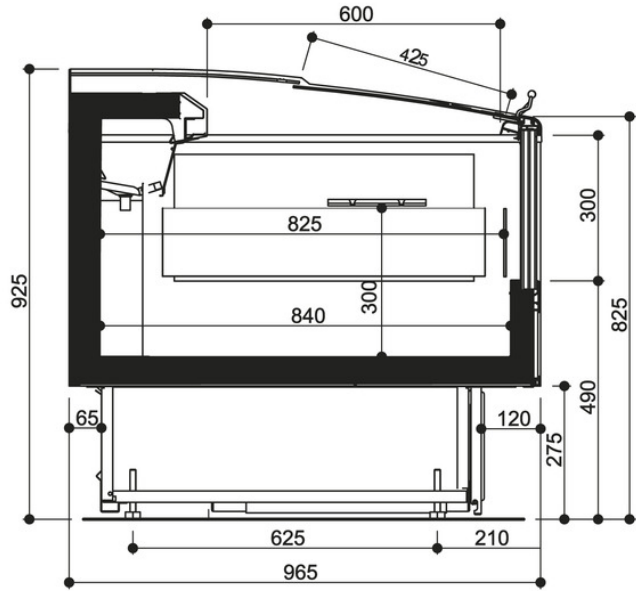
BELUGA								
<b>Lenght</b> -Lunghezza Longueur-Länge-Longitud mm	BELUGA				BELUGA DUAL			
	LINEAR CABINETS			HEAD CABINETS	LINEAR CABINETS			HEAD CABINETS
	1400	2100	2500	2130	1400	2100	2500	2130
	•	•	•	•	•	•	•	•
<b>Display area</b> Superficie di esposizione Warenpräsentationsfläche Surface d'exposition Superficie expositiva m2	1.03	1.56	1.87	1.44	0.98	1.49	1.78	1.37
<b>Loading area</b> Superficie di appoggio Nutzfläche Surface de chargement Superficie de apoyo m2	1.39	2.08	2.48	2.11	1.39	2.08	2.48	2.11
<b>Net storage capacity</b> Capacità netta Nutzinhalt volume utile Capacidad neta dm3	424	660	794	495	264	411	495	279
<b>Dimensions</b> Dimensioni Größe Dimensiones Dimensiones LxAxP mm	1385x1023x992	2095x1023x992	2495x1023x992	2131x1023x992	1385x1023x992	2095x1023x992	2495x1023x992	2131x1023x992



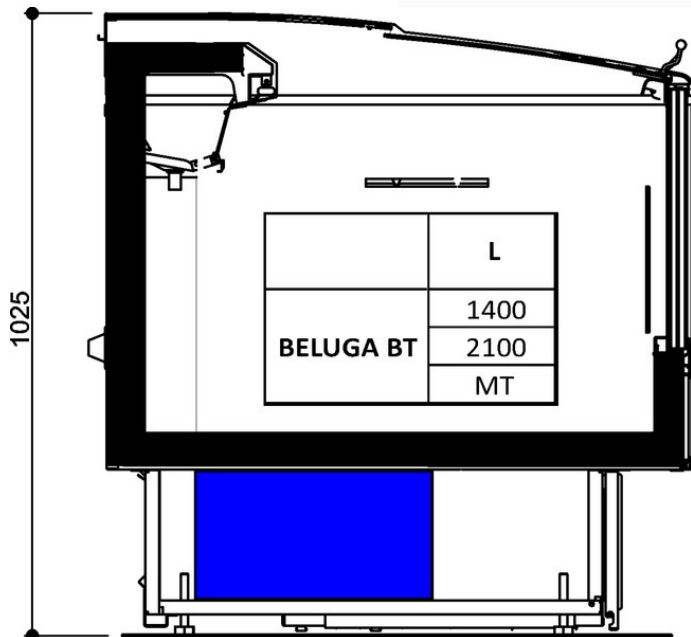
BELUGA - LINEAR\_CASE



BELUGA - HEAD\_CASE



EPTABLUE OPTION





## Legend

 Meat	 Chicken	 Fish	 Pre-packed fish
 Delicatessen	 Cheese	 Dairy products	 Gastronomy
 Pastries	 Pre-packed fruit and vegetables	 Fruits and Vegetables	 Sandwiches
 Drinks	 Pizza	 Bread	 Frozen food and ice cream
 Off-cycle defrost	 Electric defrost	 Hot-gas defrosting system	 Manual defrost
 Ventilated	 Static	 Incorporated condensing unit	 Remote condensing unit
 Bagnomaria	 Ceramic glass	 Ice	 VSD Inverter technology
 LED lighting	 Zero C doors	 High efficiency fans	 R290 Propane refrigerant gas (R290)
 R134a R-134a - 400V/3PH/50Hz	 R404A R404A - 400V/3PH/50Hz	 R744 R744 - 400V/PH/50Hz	 Compressor hermetic reciprocating
 Hermetic scroll compressor	 Semi-hermetic reciprocating compressor	 VSD Inverter technology	 External installation
 Machinery room	 Soundproof housing	 On board condenser	 Remote condenser
 DUAL Medium & Low temperature	 Technokleen	 Thin Tech	 EB