

VELVET PASTRY

OutFit



Product categories

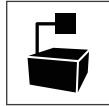


Pastries

Technical features



Ventilated



Remote condensing unit



LED lighting



High efficiency fans



Off-cycle defrost

Certification and patents



Eurovent*



TechnoKleen



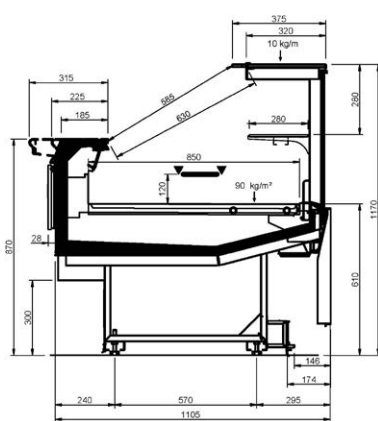
Epta Adamant

* Epta S.p.A. participates in the ECC programme for: Refrigerated display cabinets (RDC); Check ongoing validity of certificate online: www.eurovent-certification.com or using: www.certiflash.com

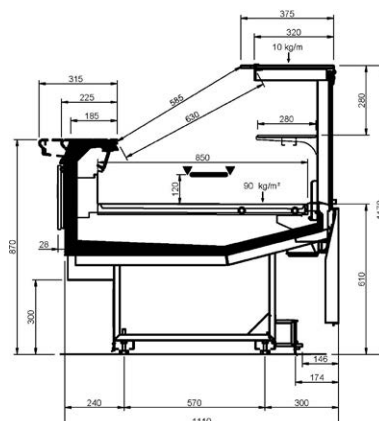
Product range

| VELVET PASTRY | | | | | | |
|---|-----------------------------------|----------------|----------------|----------------|---------------|---------------|
| Length-Lunghezza Longueur-Länge-Longitudud mm | 1250 DESIGN | 2500 DESIGN | 1250 STUDIO | 2500 STUDIO | 1250 STYLE | 2500 STYLE |
| RDB | • | • | • | • | • | • |
| RDA | • | • | • | • | • | • |
| WO | • | • | • | • | • | • |
| RCA | • | • | • | • | • | • |
| Display area Superficie di esposizione Warenpräsentationsfläche Surface d'exposition Superficie expositiva m ² /ml | 1.09 | | | | | |
| Loading area Superficie di appoggio Nutzfläche Surface de chargement Superficie de apoyo m ² /ml | 1.08 | | | | | |
| End thickness Spessore spalla Stärke der Seitenwand Épaisseur de cheue joue Espesor lateral mm | 55.00 Style-Studio / 35.00 Design | | | | | |

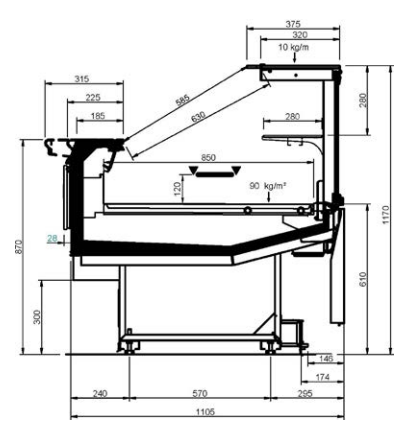
Cross sections



DESIGN - RDB

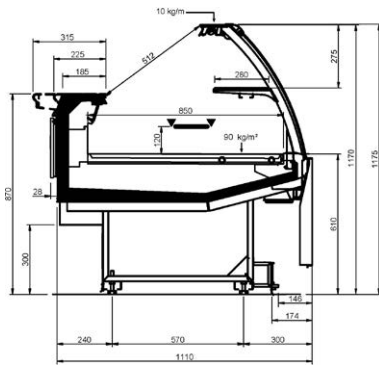


DESIGN - RDA

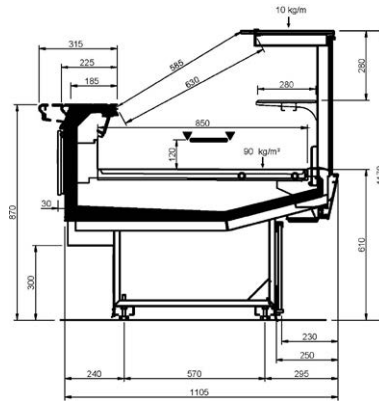


DESIGN - WO

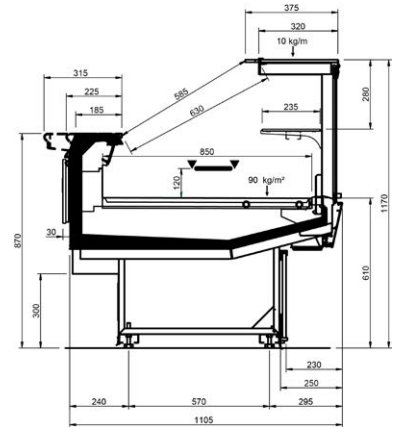
Cross Sections



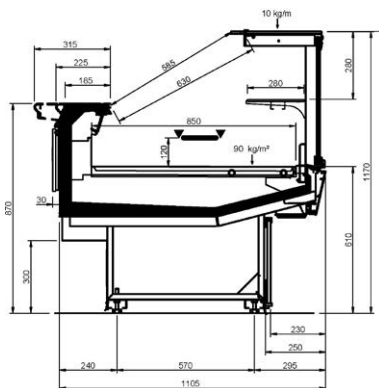
DESIGN - RCA



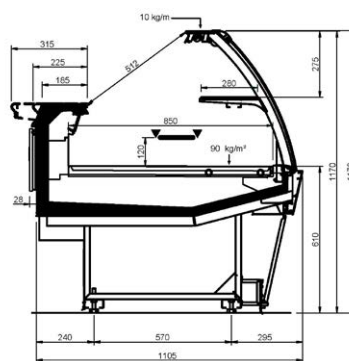
STUDIO - RDB



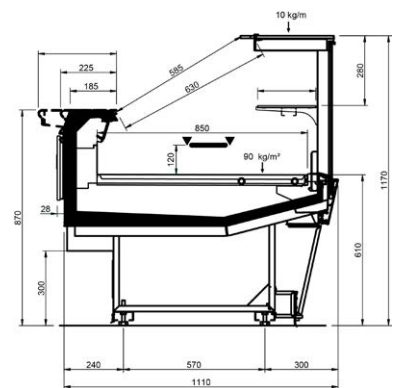
STUDIO - RDA



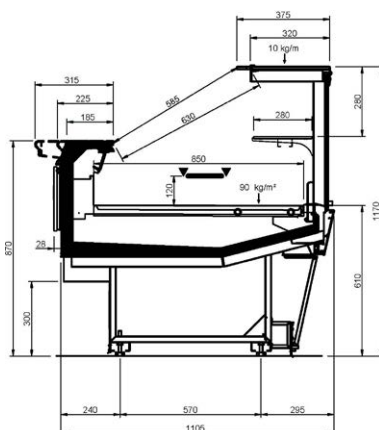
STUDIO - WO



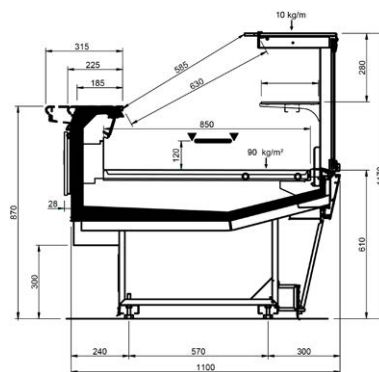
STUDIO - RCA



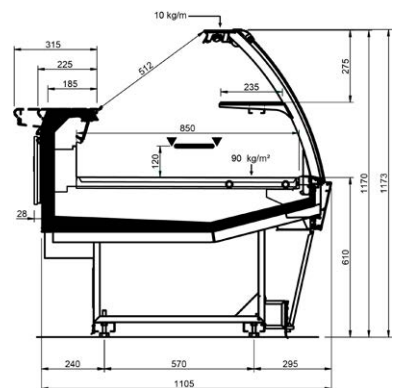
STYLE - RDB



STYLE - RDA



STYLE - WO

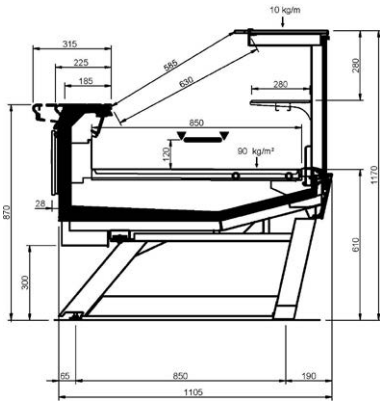


STYLE - RCA

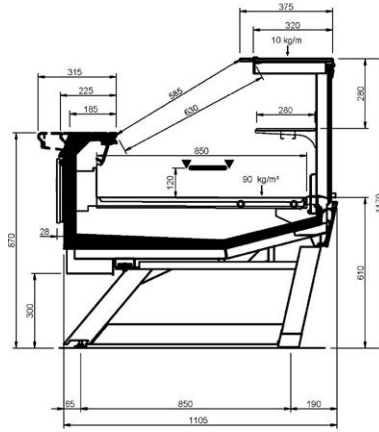
VELVET PASTRY

OutFit

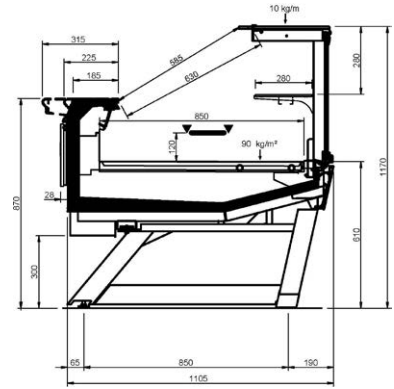
Cross Sections



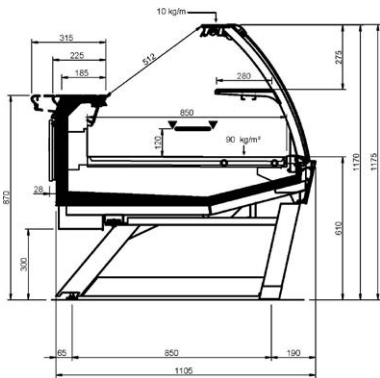
STYLE LEGS - RDB



STYLE LEGS - RDA



STYLE LEGS - WO



STYLE LEGS - RCA