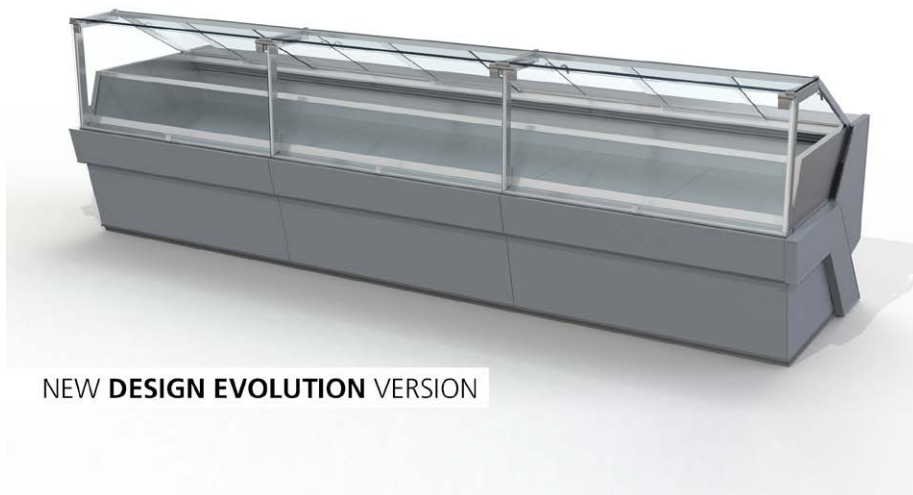


# VELVET N FROZEN

OutFit



## Product categories

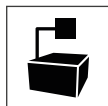


Frozen Food  
and Ice cream

## Technical features



Ventilated



Remote  
condensing unit



LED lighting



High efficiency  
fans



Electric defrost

## Certification and patents



Eurovent\*



TechnoKleen



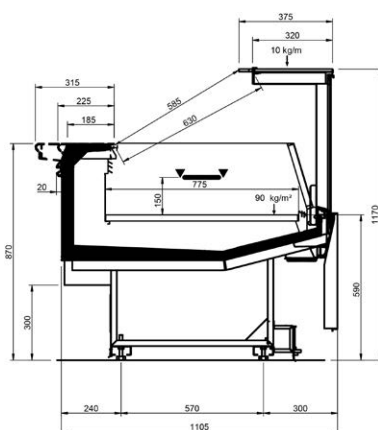
Epta Adamant

\* Epta S.p.A. participates in the ECC programme for:  
Refrigerated display cabinets (RDC); Check ongoing validity  
of certificate online: [www.eurovent-certification.com](http://www.eurovent-certification.com)  
or using: [www.certiflash.com](http://www.certiflash.com)

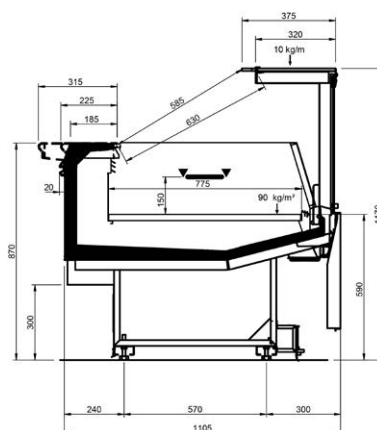
## Product range

VELVET N FROZEN				
<b>Length</b> -Lunghezza Longueur-Länge-Longitud mm	<b>1250</b>	<b>1875</b>	<b>2500</b>	<b>3750</b>
<b>RDB</b>	•	•	•	•
<b>RDA</b>	•	•	•	•
<b>WO</b>	•	•	•	•
<b>RCA</b>	•	•	•	•
<b>Display area</b> Superficie di esposizione Warenpräsentationsfläche Surface d'exposition Superficie expositiva m <sup>2</sup> /ml	0.85			
<b>Loading area</b> Superficie di appoggio Nutzfläche Surface de chargement Superficie de apoyo m <sup>2</sup> /ml	1.08			
<b>End thickness</b> Spessore spalla Stärke der Seitenwand Épaisseur de cheue joue Espesor lateral mm	55.00 Style-Studio / 35.00 Design			

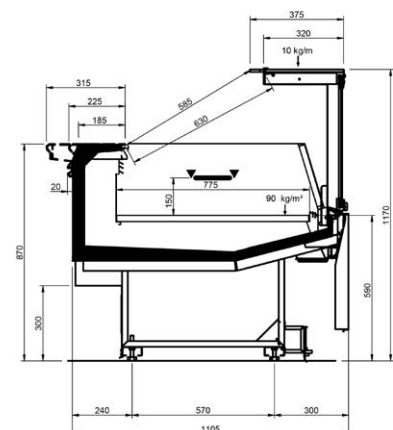
## Cross sections



DESIGN - RDB

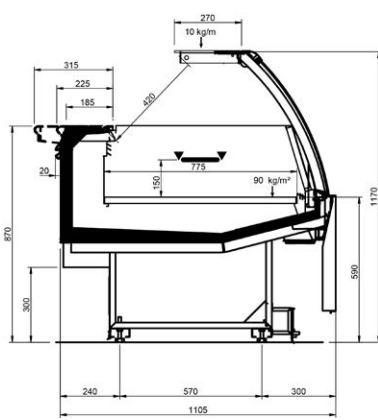


DESIGN - RDA

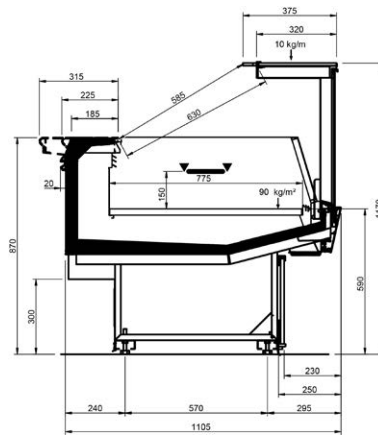


DESIGN - WO

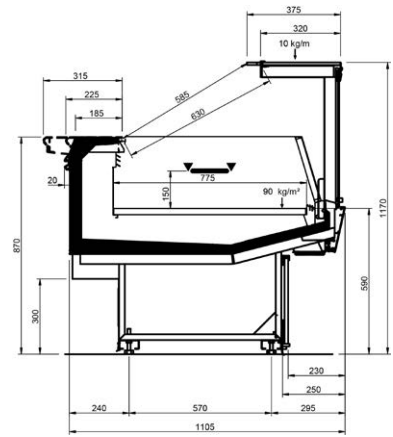
### Cross Sections



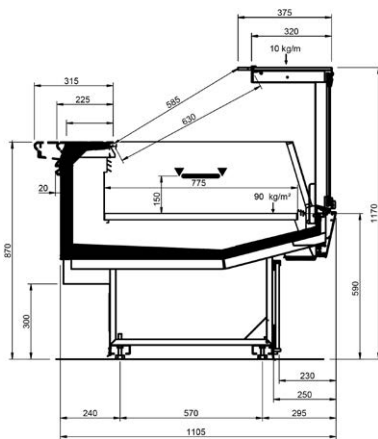
DESIGN - RCA



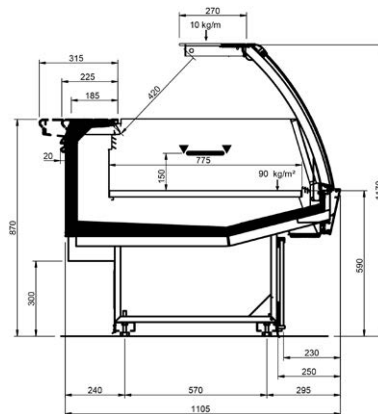
STUDIO - RDB



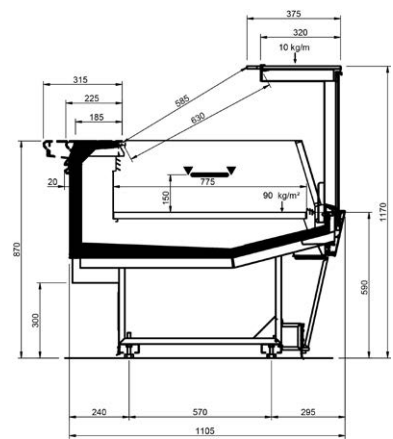
STUDIO - RDA



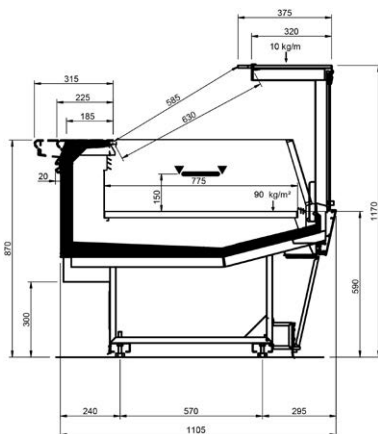
STUDIO - WO



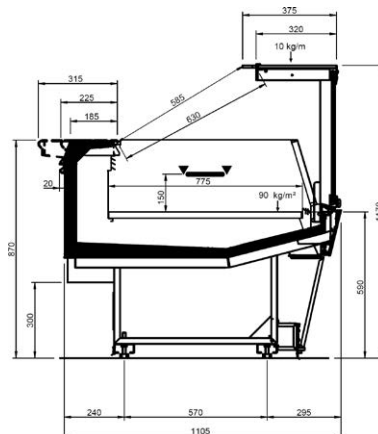
STUDIO - RCA



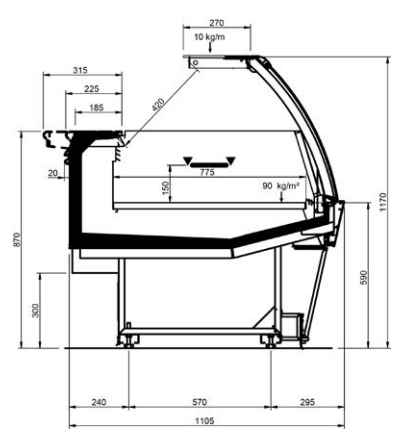
STYLE - RDB



STYLE - RDA



STYLE - WO



STYLE - RCA