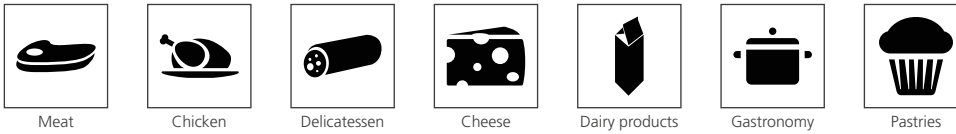


# VELVET N DESIGN

OutFit



## Product categories



## Technical features



## Certification and patents

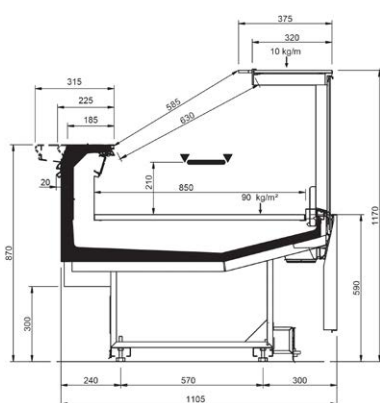


\* Epta S.p.A. participates in the ECC programme for: Refrigerated display cabinets (RDC); Check ongoing validity of certificate online: [www.eurovent-certification.com](http://www.eurovent-certification.com) or using: [www.certiflash.com](http://www.certiflash.com)

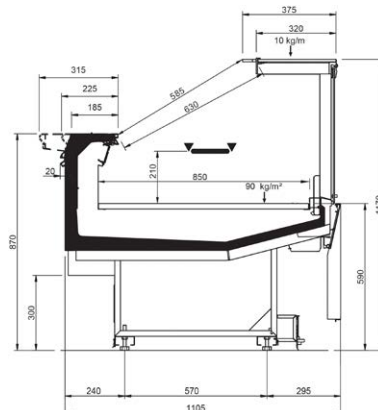
### Product range

| VELVET N DESIGN   |       |      |      |      |      |      |            |            |            |
|---|-------|------|------|------|------|------|------------|------------|------------|
| Length-Lunghezza<br>Longueur-Länge-Longitud<br>mm   | 937   | 1250 | 1875 | 2500 | 3125 | 3750 | MAA<br>90° | MAA<br>45° | MAC<br>45° |
| <b>RDB</b>  | •     | •    | •    | •    | •    | •    |            |            |            |
| <b>RDA</b>  | •     | •    | •    | •    | •    | •    | •          | •          |            |
| <b>WO</b>   | •     | •    | •    | •    | •    | •    |            | •          | •          |
| <b>RDBP</b>   | •     | •    | •    | •    | •    | •    | •          | •          | •          |
| <b>RCB</b>  | •     | •    | •    | •    | •    | •    | •          | •          | •          |
| <b>RCA</b>  | •     | •    | •    | •    | •    | •    | •          | •          | •          |
| <b>LS</b>   | •     | •    | •    | •    | •    | •    | •          | •          | •          |
| <b>Display area</b><br>Superficie di esposizione<br>Warenpräsentationsfläche<br>Surface d'exposition<br>Superficie expositiva<br>m <sup>2</sup> /ml | 0.85  |      |      |      |      |      |            |            |            |
| <b>Loading area</b><br>Superficie di appoggio<br>Nutzfläche<br>Surface de chargement<br>Superficie de apoyo<br>m <sup>2</sup> /ml                   | 1.08  |      |      |      |      |      |            |            |            |
| <b>End thickness</b><br>Spessore spalla<br>Stärke der Seitenwand<br>Épaisseur de cheve joue<br>Espesor lateral<br>mm                                | 35.00 |      |      |      |      |      |            |            |            |

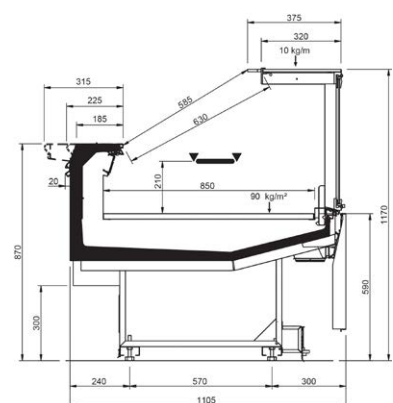
### Cross sections



RDB

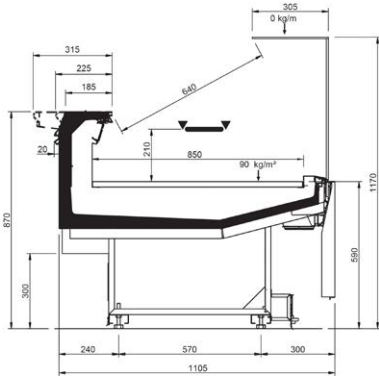


RDA

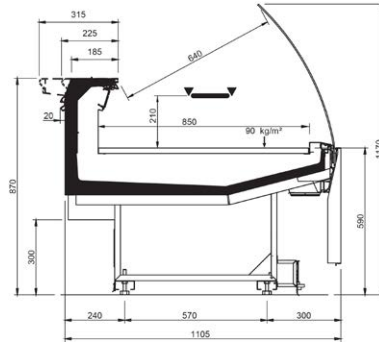


WO

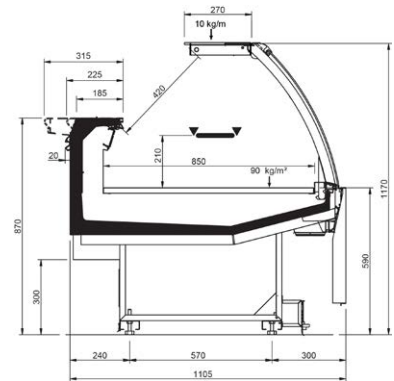
### Cross Sections



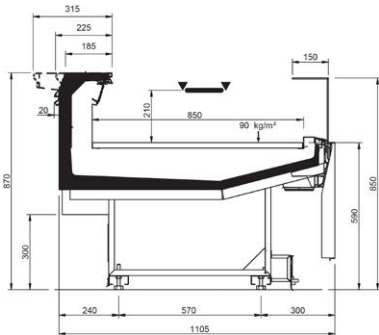
RDBP



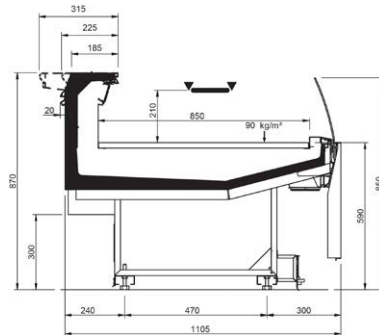
RCB



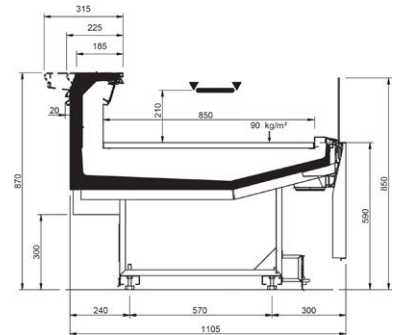
RCA



LS-U



LS-C



LS-D