

# STAGE SV CLOSED

Complementaries



## Product categories

- Meat
- Chicken
- Delicatessen
- Cheese
- Dairy products
- Gastronomy
- Pastries
- Pre-packed fruit&veg
- Fruit and Vegetables
- Sandwiches

## Technical features

- Ventilated
- Incorporated condensing unit
- LED lighting
- High efficiency fans
- Hot-gas defrosting system
- R290 Propane refrigerant gas (R290)



Available with  
**LINEON**  
NEW PLUG-IN CONNECTIVITY SOLUTIONS

## Certification and patents



# STAGE SV CLOSED

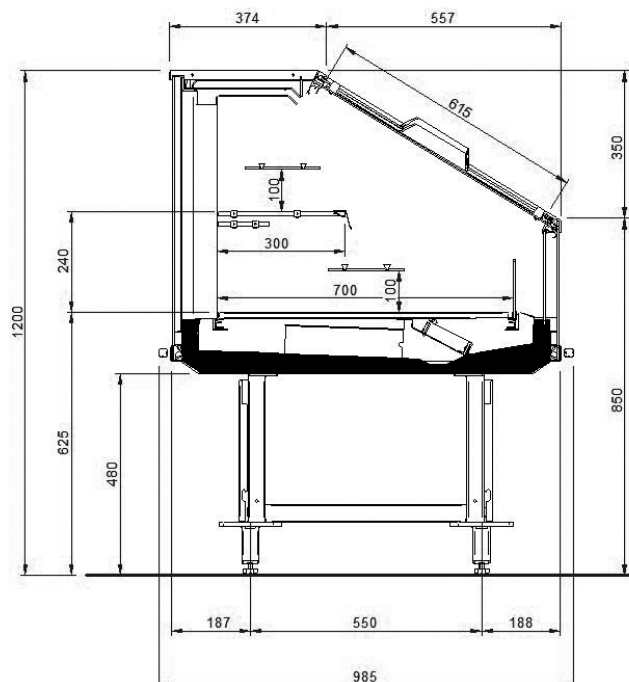
Complementaries

## Product range

STAGE SV CLOSED			
STAGE	SV CLOSED		
	Narrow H12	Narrow H13	Large H13
	1250	1250	1250
<b>Display area</b> Superficie di esposizione Warenpräsentationsfläche Surface d'exposition Superficie expositiva m2	1.81	2.4	2.68
<b>Loading area</b> Superficie di appoggio Nutzfläche Surface de chargement Superficie de apoyo m2	1.12	1.12	1.40
<b>Net storage capacity</b> Capacità netta Nutzinhalt volum utile Capacitat neta dm3	120	186	222
<b>Dimensions</b> Dimensioni Größe Dimensions Dimensiones LxHxP mm	1250 1200 925	1250 1300 925	1250 1300 1125

## Cross sections

NARROW H12

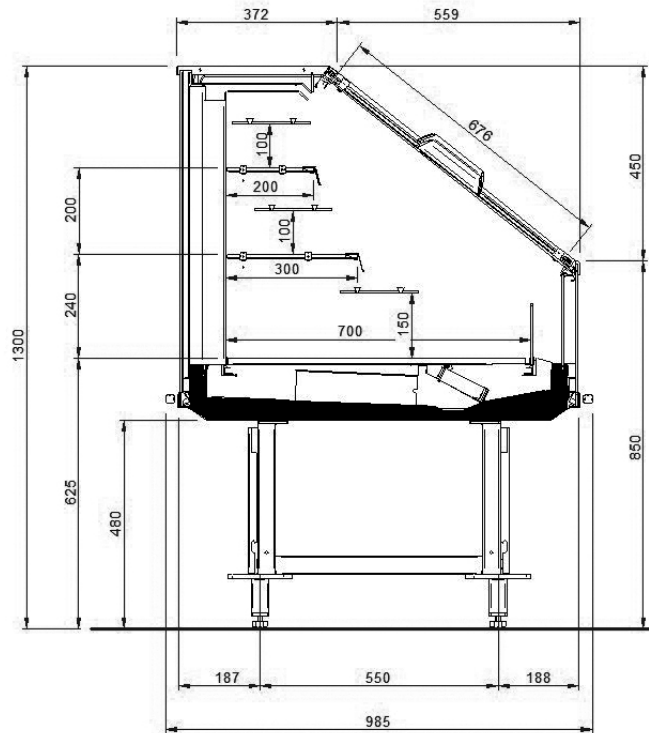


# STAGE SV CLOSED

Complementaries

## Cross Sections

NARROW H13



LARGE H13

