

RHAPSODY

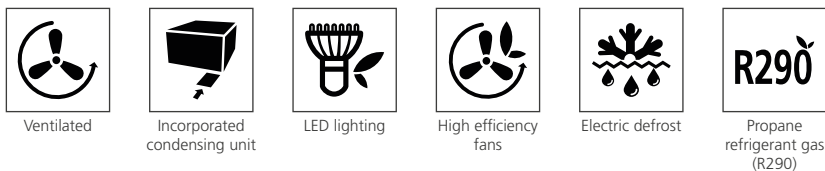
Complementaries



Product categories



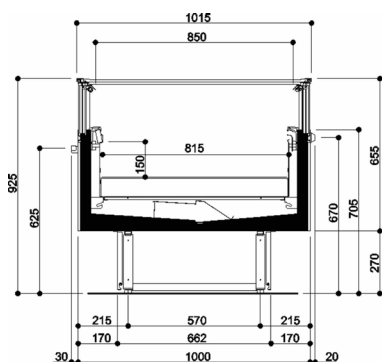
Technical features



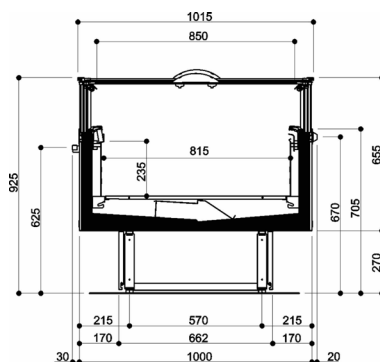
Product range

| RHAPSODY | | | | |
|---|---------------|---------------|---------------|---------------|
| RHAPSODY | OPEN | | CLOSED | |
| | 1500 | 2000 | 1500 | 2000 |
| | • | • | • | • |
| Display area Superficie di esposizione Warenpräsentationsfläche Surface d'exposition Superficie expositiva m2 | 1.05 | 1.45 | 1.05 | 1.45 |
| Loading area Superficie di appoggio Nutzfläche Surface de chargement Superficie de apoyo m2 | 1.50 | 2.00 | 1.50 | 2.00 |
| Net storage capacity Capacità netta Nutzinhalt volume utile Capacidad neta dm3 | 169.00 | 230.00 | 266.00 | 362.00 |
| Dimensions Dimensioni Größe Dimensions Dimensiones LxAxP mm | 1500x925x1000 | 2000x925x1000 | 1500x925x1000 | 2000x925x1000 |

Cross sections



OPEN



CLOSED