

# NORDICLINE IS7

NordicLine



## Product categories

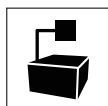


Frozen Food  
and Ice cream

## Technical features



Ventilated



Remote  
condensing unit



LED lighting




High efficiency  
fans



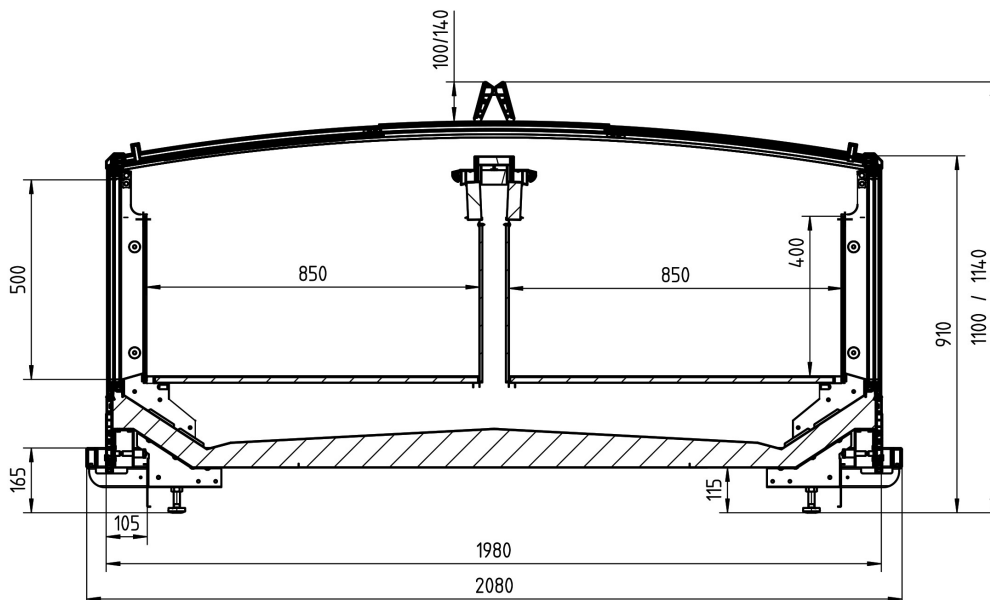
Electric defrost

## Product range

| NordicLine IS7          |   |
|-------------------------|---|
| External length (mm)    | 1875, 2500, 3750, crown end 2000  |
| External height (mm)    | 900   |
| External depth (mm)     | 1980, crown end 1070  |
| Temperature range (°C)  | -23 to -21  |
| Refrigerants            | R744 (CO2)  |
| Energy efficiency class |  |

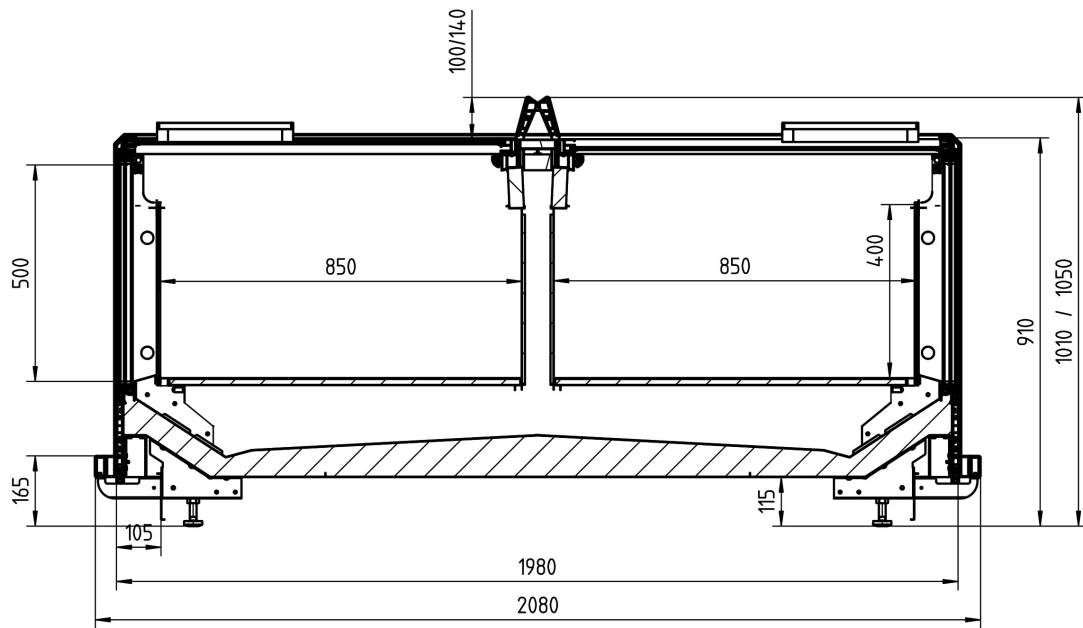
## Cross sections

### LINEAR CURVED GLASS



## Cross sections

### LINEAR FLAT GLASS



### CROWN END

