

NORDICLINE FL2 PI AIDA

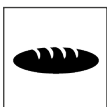
NordicLine



Product categories



Pastries



Bread



Delicatessen



Sandwiches

Technical features



Ventilated



Incorporated
condensing unit



LED lighting




Hot-gas
defrosting
system

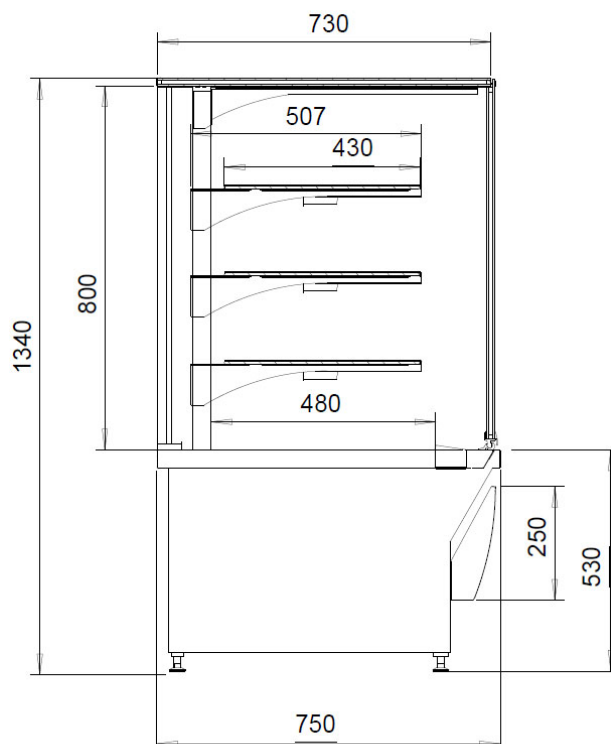
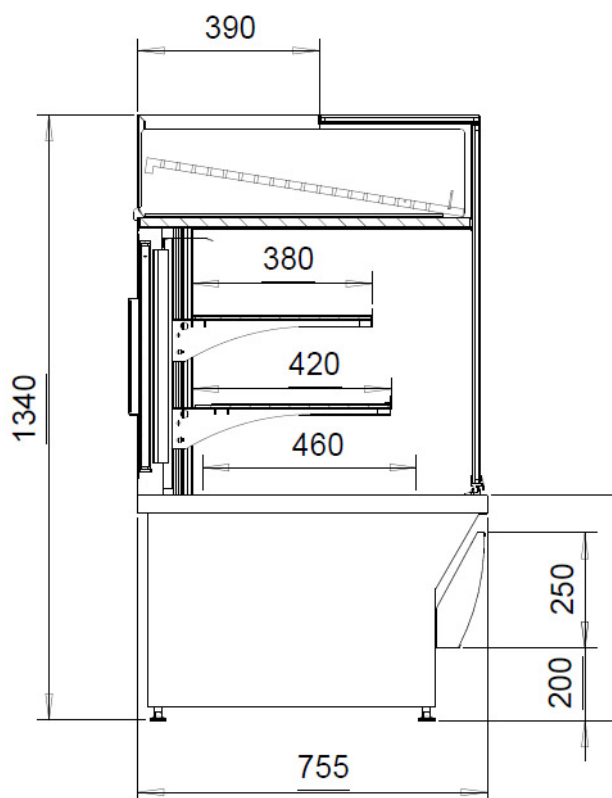


Propane
refrigerant gas
(R290)

Product range

NordicLine FL2 Aida	
External length (mm)	490
External length (mm)	600, 900, 1200, 1500 (ambient)
External height (mm)	1340
External depth (mm)	755
Temperature range (°C)	Serve-over, bake-off: -1 to +7, Self service: -1 to +10 Corner unit: +4 to +8, Hot counter: +65 to +80 / +45 to 60
Refrigerants	R290
Energy efficiency class	

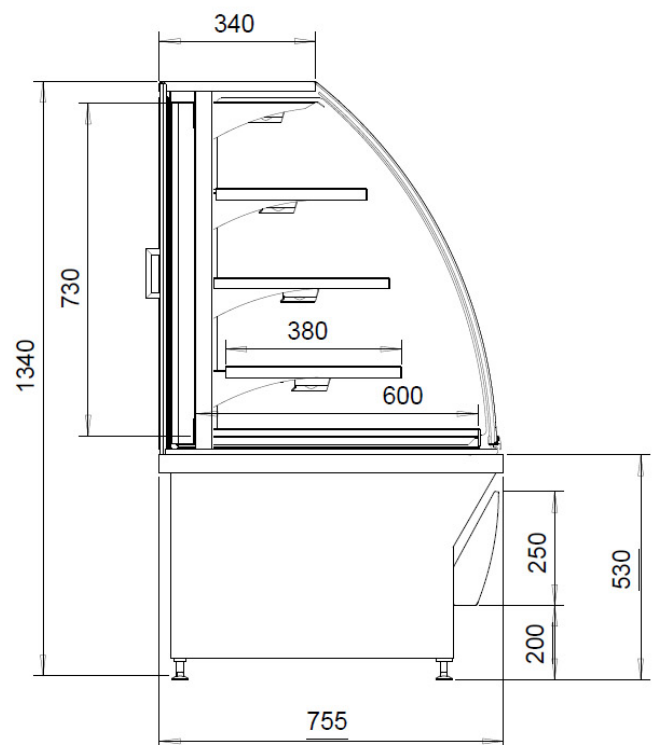
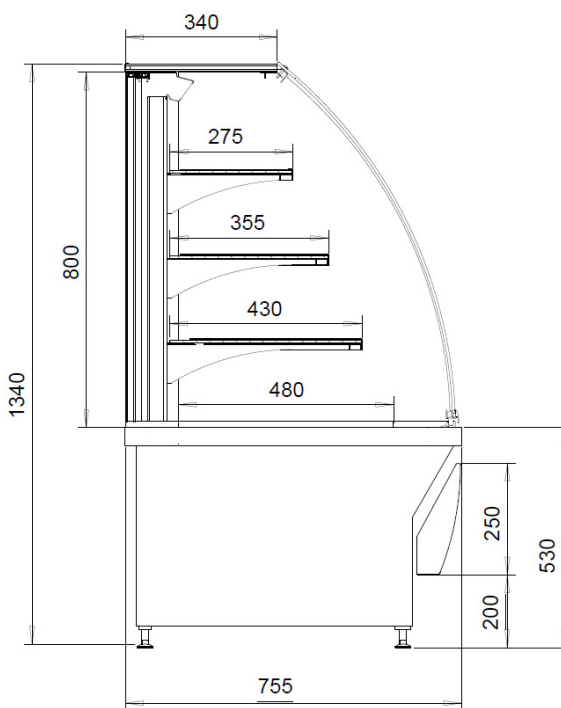
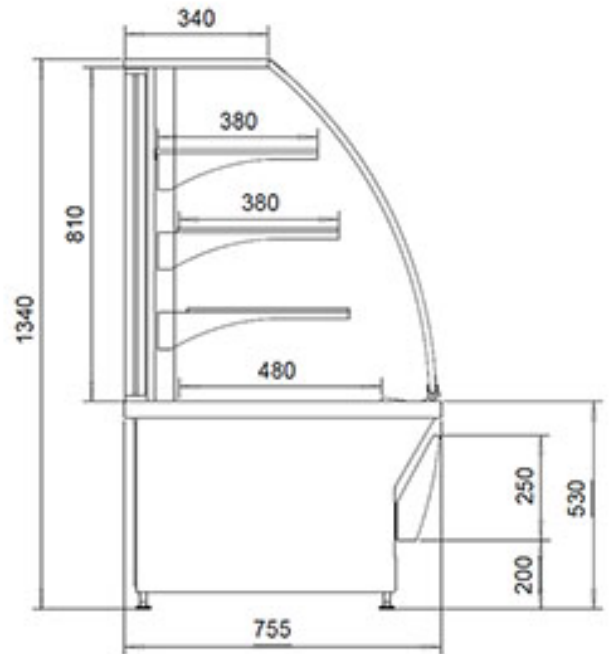
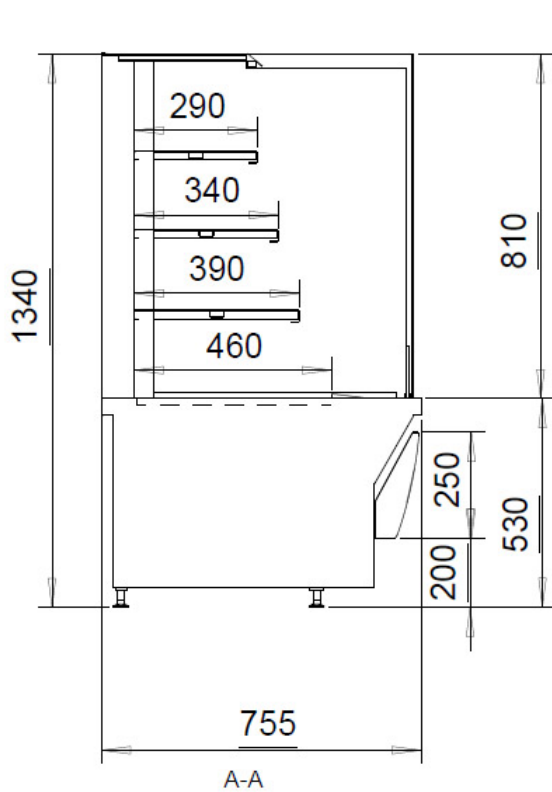
Cross section



NORDICLINE FL2 PI AIDA

NordicLine

Cross section

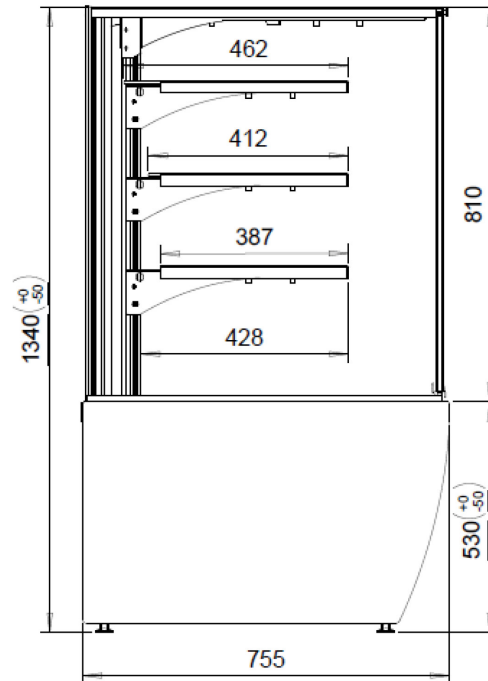
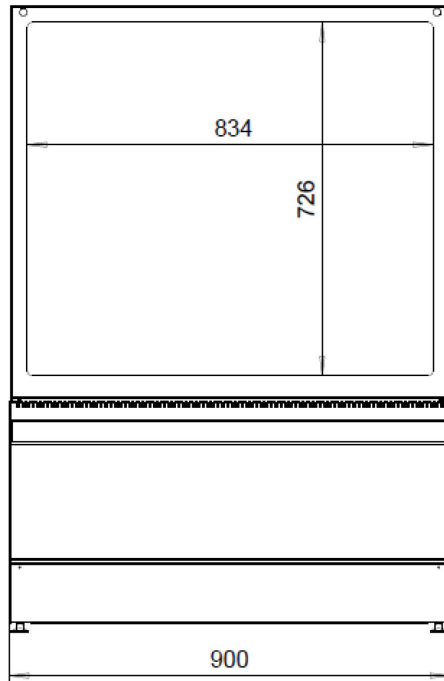


NORDICLINE FL2 PI AIDA

NordicLine

Cross section

CABINET MODEL	DIMENSION
60	534
90	834
120	1134
150	1434



CABINET MODEL	LENGTH
60	600
90	900
120	1200
150	1500

