

GRANVISTA URBAN

GranFit






Product categories

-  Meat
-  Chicken
-  Delicatessen
-  Cheese
-  Dairy products
-  Pre-packed fruit&veg
-  Fruit and Vegetables
-  Sandwiches
-  Drinks

Technical features

-  Ventilated
-  Remote condensing unit
-  LED lighting
-  High efficiency fans
-  Electric defrost
-  Off-cycle defrost
-  EPTABLUE

Certification and patents

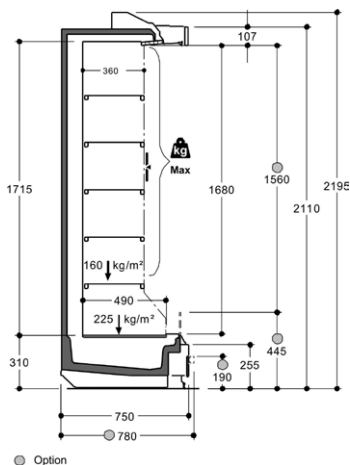
-  Eurovent*
-  Epta DualAirflow
-  HighFlux

* Epta S.p.A. participates in the ECC programme for: Refrigerated display cabinets (RDC); Check ongoing validity of certificate online: www.eurovent-certification.com or using: www.certiflash.com

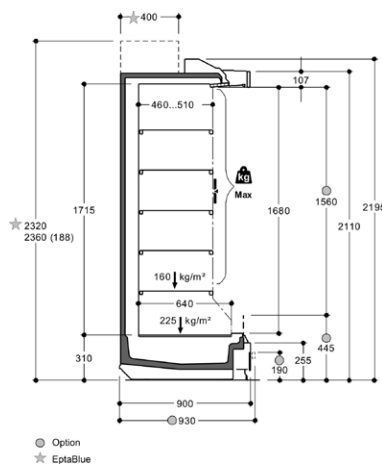
Product range

GRANVISTA URBAN			
Length-Lunghezza Longueur-Länge-Longitud mm		COMPACT	NARROW
GRANVISTA NEXT	Closed	•	•
	Open	•	•
Display area Superficie di esposizione Warenpräsentationsfläche Surface d'exposition Superficie expositiva m ²	Closed	2.11	2.22
	Open	2.26	2.26
Loading area Superficie di appoggio Nutzfläche Surface de chargement Superficie de apoyo m ²	Closed	0.90	1.10
	Open	0.90	1.10
End thickness Spessore spalla Stärke der Seitenwand Épaisseur de cheue joue Espesor lateral mm		30.00 (+ 35 Bumper Rail)	

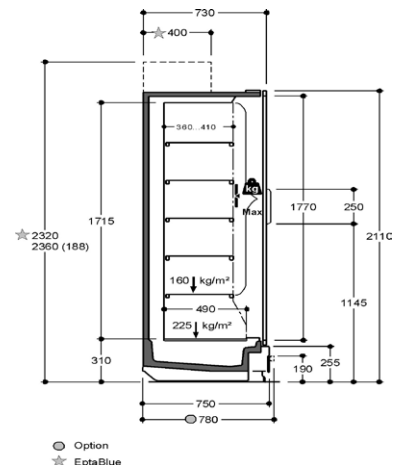
Cross sections



COMPACT - H20 OPEN

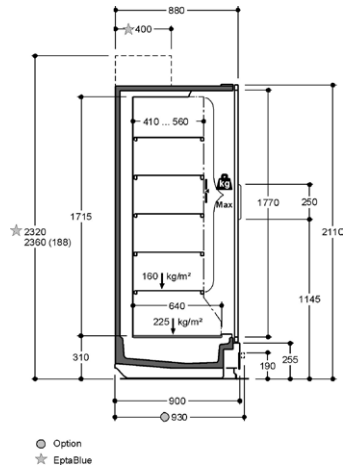


NARROW - H20 OPEN



COMPACT - H20 CLOSED

Cross Sections



NARROW - H2O CLOSED