

# GRANVISTA NEXT

GranFit



## Product categories

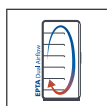
-  Meat
-  Chicken
-  Delicatessen
-  Cheese
-  Dairy products
-  Pre-packed fruit&veg
-  Fruit and Vegetables
-  Pre-packed fish

## Technical features

-  Ventilated
-  Remote condensing unit
-  LED lighting
-  High efficiency fans
-  Electric defrost
-  Off-cycle defrost
-  EPTABLUE



## Certification and patents



Epta  
DualAirflow

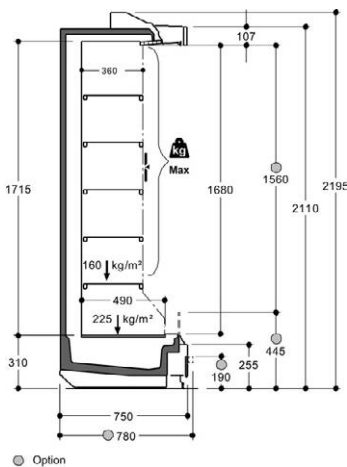


HighFlux

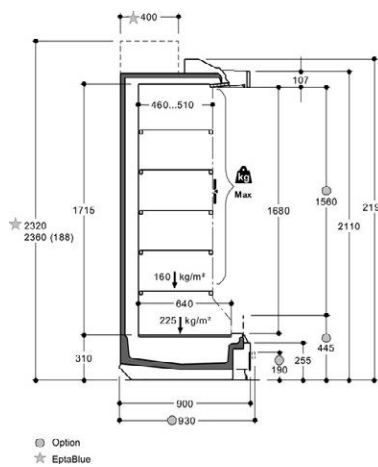
### Product range

GRANVISTA NEXT																																	
Length - Lunghezza Longueur - Länge - Longitud mm		1250		1875		2500		3750		MT1510 Open		MT1510 Open		MT1370 Open or Closed		MT1810 Open		MT2000 Open or Closed		MT2200 Open		MT1510 Open		MT1330 Open		MT1810 Open		MT1960 Open		MT1960 Open			
Altezza mm		20	22	20	22	20	22	20	22	20	22	20	22	20	22	20	22	20	22	20	22	20	22	20	22	20	22	20	22	20	22		
GRANVISTA NEXT	Closed	C	•	•	•	•	•	•	•	•	•																						
		N	•	•	•	•	•	•	•	•	•			•	•			•	•														
		L	•	•	•	•	•	•	•	•	•																						
	Open	C	•	•	•	•	•	•	•	•	•		•									•											
		N	•	•	•	•	•	•	•	•	•			•	•	•	•	•	•	•	•			•	•		•	•		•	•		
		L	•	•	•	•	•	•	•	•	•					•	•	•	•	•	•						•	•			•	•	
Display area Superficie di esposizione Warenpräsentationsfläche Surface d'exposition Superficie expostiva m <sup>2</sup>	Closed	C	3.16	3.42	3.68	3.99	4.21	4.56	6.32	6.84	2.26	2.48																					
		N	3.33	3.59	3.88	4.19	4.44	4.79	6.67	7.19				3.38	3.63	2.84	3.17	4.49	4.82	3.67	4.10												
		L	3.42	3.68	3.99	4.35	4.56	4.91	6.84	7.34						2.92	3.25	4.91	5.29	3.77	4.21												
	Open	C	3.39	3.67	3.95	4.28	4.52	4.90	6.78	7.35	3.42												3.87										
		N	3.39	3.67	3.95	4.28	4.52	4.90	6.78	7.35						4.38								3.69	4.00		4.76	4.82	5.23				
		L	3.49	3.77	4.07	4.39	4.65	5.02	6.97	7.63																	4.85	5.25			5.27	5.70	
Loading area Superficie di appoggio Nutzfläche Surface de chargement Superficie de apoyo m <sup>2</sup>	Closed	C	1.35		1.6		1.85		2.75		1.21	1.21																					
		N	1.65		1.92		2.20		3.30				1.23	1.58	1.77	2.04																	
		L	1.95		2.27		2.60		3.90						1.58	2.08	2.04																
	Open	C	1.35		1.6		1.85		2.75		1.21												1.21										
		N	1.65		1.92		2.20		3.30					1.58											1.23	1.58	1.77						
		L	1.95		2.27		2.60		3.90																	1.58				2.08			
End thickness Spessore spalla Stärke der Seitenwand Épaisseur de cheveu joue Espesor lateral mm		30.00 (+ 35 Bumper Rail)																															

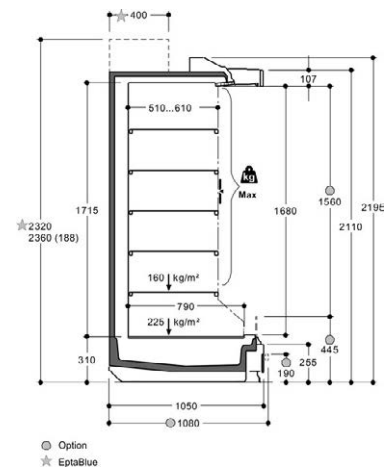
### Cross sections



COMPACT - H20 OPEN



NARROW - H20 OPEN



LARGE - H20 OPEN

