



Product categories



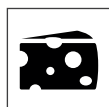
Meat



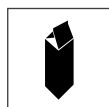
Chicken



Delicatessen



Cheese



Dairy products

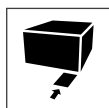


Gastronomy

Technical features



Ventilated



Incorporated
condensing
unit



LED lighting



High efficiency
fans



Electric defrost



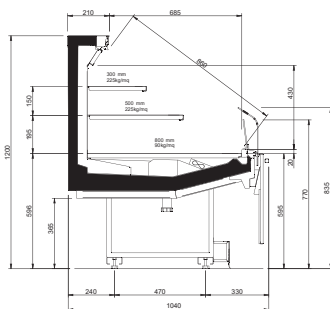
R290
Propane
refrigerant gas
(R290)



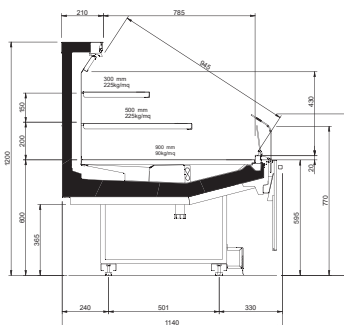
Product range

BATIK INTEGRAL					
Length -Lunghezza Longueur-Länge-Longitud mm			1250	1875	2500
Height -Altezza-Hauteur-Höhe-Altura mm			1200	1200	1200
BATIK INTEGRAL	DESIGN	C	•	•	•
		N	•	•	•
	STUDIO	C	•	•	•
		N	•	•	•
Display area Superficie di esposizione Warenpräsentationsfläche Surface d'exposition Superficie expositiva m ²		Compact	1.39	2.10	2.79
		Narrow	1.52	2.29	3.04
Loading area Superficie di appoggio Nutzfläche Surface de chargement Superficie de apoyo m ²		Compact	1.30	1.95	2.60
		Narrow	1.42	2.13	2.85
End thickness Spessore spalla Stärke der Seitenwand Épaisseur de chaque joue Espesor lateral mm		30.00 (+ 35 Batticarrello/Bumper Rail/Pare-choc/Wagenstoßleiste/Parachoques)			

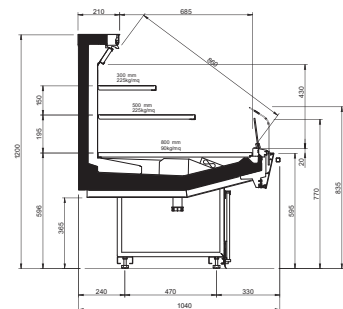
Cross sections



DESIGN - COMPACT

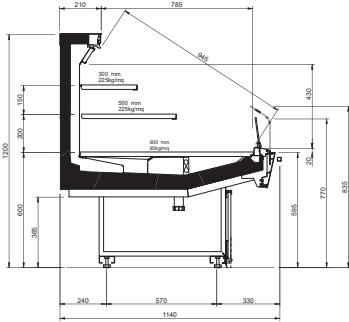


DESIGN - NARROW



STUDIO - COMPACT

Cross Sections



STUDIO - NARROW