

# GRANVISTA NEXT

GranFit






## Product categories

-  Meat
-  Chicken
-  Delicatessen
-  Cheese
-  Dairy products
-  Pre-packed fruit&veg
-  Fruit and Vegetables

## Technical features

-  Ventilated
-  Remote condensing unit
-  LED lighting
-  High efficiency fans
-  Electric defrost
-  Off-cycle defrost
-  EPTABLUE

## Certification and patents

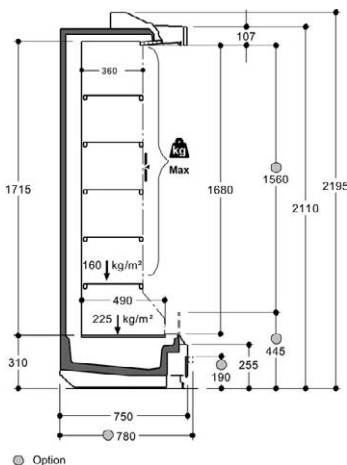
-  Eurovent\*
-  Epta DualAirflow
-  HighFlux

\* Epta S.p.A. participates in the ECC programme for: Refrigerated display cabinets (RDC); Check ongoing validity of certificate online: [www.eurovent-certification.com](http://www.eurovent-certification.com) or using: [www.certiflash.com](http://www.certiflash.com)

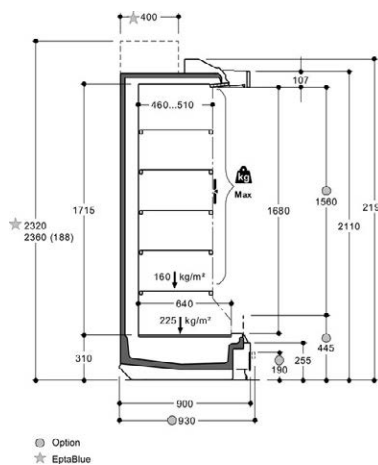
### Product range

GRANVISTA NEXT																																				
Length- Lunghezza Longueur- Länge- Longitud mm		1250		1875		2500		3750		EOL1510 Open		EOL1510 Open		EOL1370 Open or Closed		EOL1810 Open		EOL2000 Open or Closed		EOL2310 Open		EOL1510 Open		EOL1330 Open		EOL1810 Open		EOL1960 Open		EOL2320 Open		EOL2320 Open		EOL1960 Open		
Altezza mm		20	22	20	22	20	22	20	22	20	22	20	22	20	22	20	22	20	22	20	22	20	22	20	22	20	22	20	22	20	22	20	22	20	22	
GRANVISTA NEXT	Closed	C	•	•	•	•	•	•	•																											
		N	•	•	•	•	•	•	•	•			•	•			•	•																		
		L	•	•	•	•	•	•	•	•							•	•																		
	Open	C	•	•	•	•	•	•	•	•													•													
		N	•	•	•	•	•	•	•	•					•	•	•	•	•	•	•	•			•	•	•	•	•	•	•	•	•	•	•	•
		L	•	•	•	•	•	•	•	•					•	•	•	•	•	•	•	•					•	•					•	•	•	•
Display area Superficie di esposizione Warenpräsentationsfläche Surface d'exposition Superficie expositiva m <sup>2</sup>	Closed	C	3.16	3.42	3.68	3.99	4.21	4.56	6.32	6.84	2.26	2.48																								
		N	3.33	3.59	3.88	4.19	4.44	4.79	6.67	7.19			3.38	3.63	2.84	3.17	4.49	4.82	3.67	4.10																
		L	3.42	3.68	3.99	4.35	4.56	4.91	6.84	7.34					2.92	3.25	4.91	5.29	3.77	4.21																
	Open	C	3.39	3.67	3.95	4.28	4.52	4.90	6.78	7.35	3.42											3.87														
		N	3.39	3.67	3.95	4.28	4.52	4.90	6.78	7.35					4.38								3.69	4.00	4.76	4.82	5.23	5.32	5.78							
		L	3.49	3.77	4.07	4.39	4.65	5.02	6.97	7.63															4.85	5.25					5.81	6.29	5.27	5.70		
Loading area Superficie di appoggio Nutzfläche Surface de chargement Superficie de apoyo m <sup>2</sup>	Closed	C	1.35	1.6	1.85	2.75	1.21	1.21																												
		N	1.65	1.92	2.20	3.30						1.23	1.58	1.77	2.04																					
		L	1.95	2.27	2.60	3.90							1.58	2.08	2.04																					
	Open	C	1.35	1.6	1.85	2.75	1.21															1.21														
		N	1.65	1.92	2.20	3.30							1.58										1.23	1.58	1.77	2.04	2.04									
		L	1.95	2.27	2.60	3.90																			1.58								2.04	2.08		
End thickness Spessore spalla Stärke der Seitenwand Épaisseur de chaque joue Espesor lateral mm	30.00 (+ 35 Bumper Rail)																																			

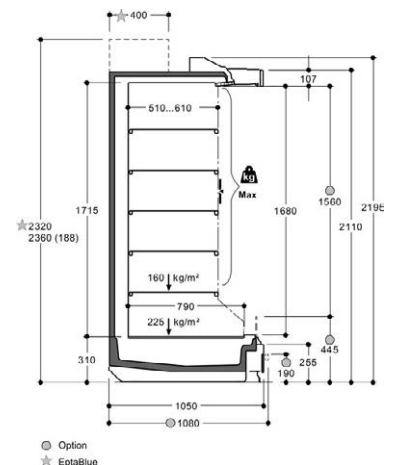
### Cross sections



COMPACT - H2O OPEN

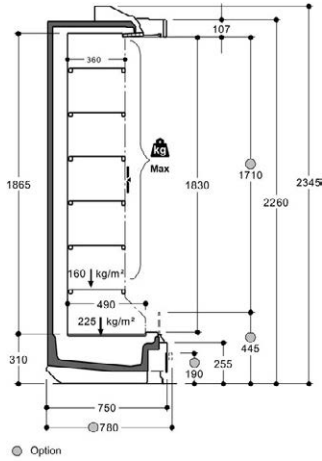


NARROW - H2O OPEN

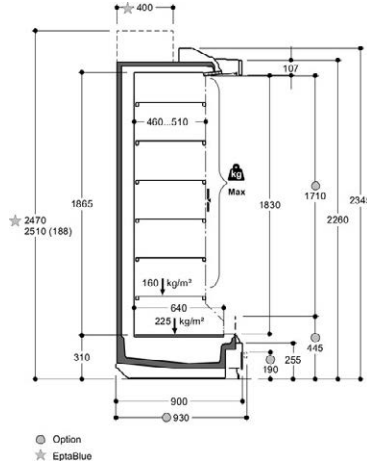


LARGE - H2O OPEN

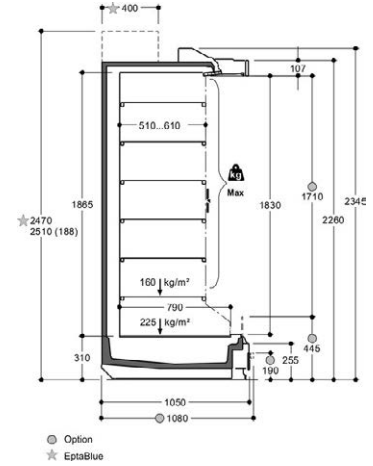
### Cross Sections



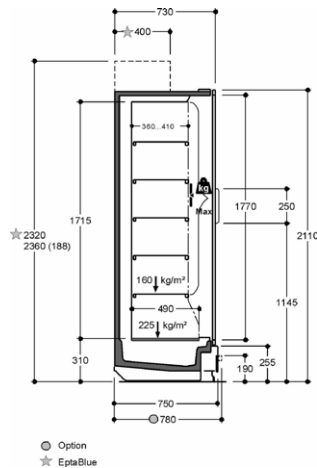
COMPACT - H22 OPEN



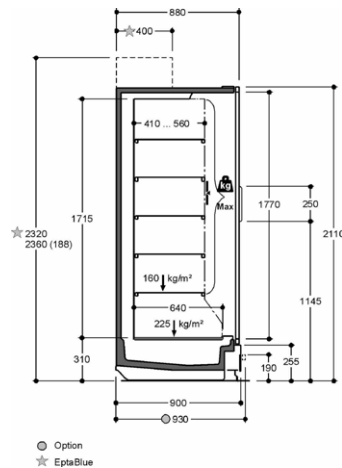
NARROW - H22 OPEN



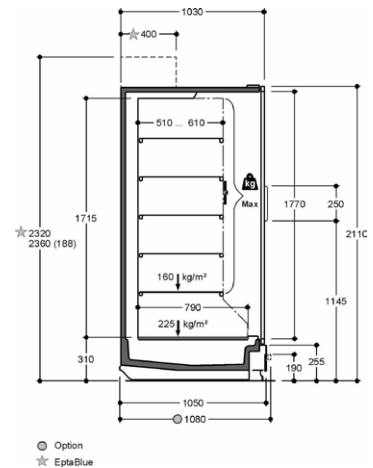
LARGE - H22 OPEN



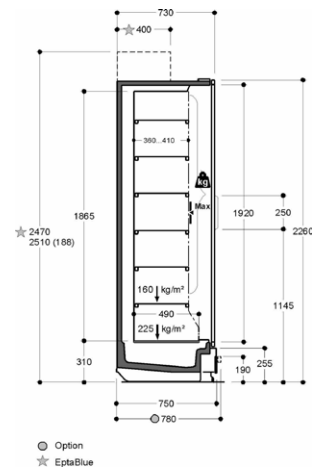
COMPACT - H20 CLOSED



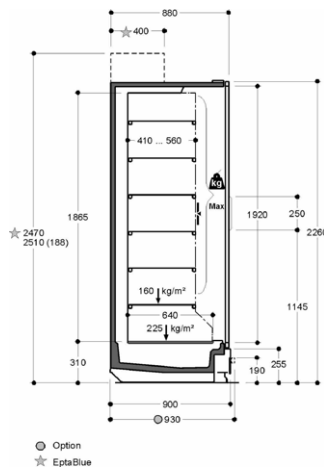
NARROW - H20 CLOSED



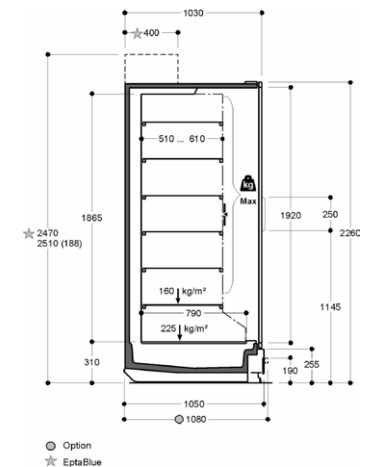
LARGE - H20 CLOSED



COMPACT - H22 CLOSED



NARROW - H22 CLOSED



LARGE - H22 CLOSED