

# GRANVISTA INTEGRAL WL

GranFit



## Product categories

- Meat
- Chicken
- Delicatessen
- Cheese
- Dairy products
- Pre-packed fruit&veg
- Fruit and Vegetables
- Sandwiches
- Drinks

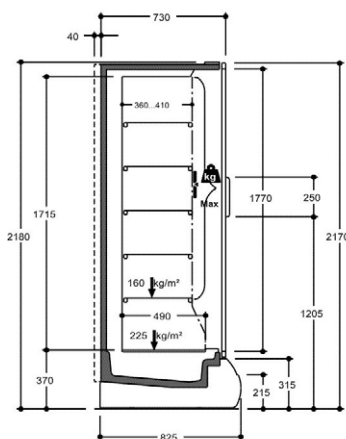
## Technical features

- Incorporated condensing unit
- LED lighting
- High efficiency fans
- Electric defrost
- R290 Propane refrigerant gas (R290)
- WaterLoop

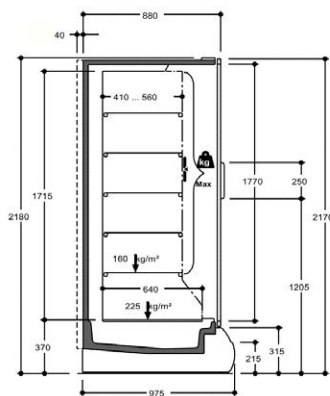
## Product range

GRANVISTA INTEGRAL WL						
<b>Lenght</b> -Lunghezza Longueur-Länge-Longitud mm		<b>1250</b>	<b>1875</b>	<b>2500</b>	<b>3750</b>	<b>EOL 1960</b>
Altezza mm		20	20	20	20	20
<b>GRANVISTA INTEGRAL WL</b>	<b>Compact</b>	•	•	•	•	•
	<b>Narrow</b>	•	•	•	•	•
<b>Display area</b> Superficie di esposizione Warenpräsentationsfläche Surface d'exposition Superficie expositiva m2	<b>Compact</b>	2.05	3.07	4.10	6.14	4.15
	<b>Narrow</b>	2.11	3.16	4.22	6.32	4.59
<b>Loading area</b> Superficie di appoggio Nutzfläche Surface de chargement Superficie de apoyo m2	<b>Compact</b>	1.03	1.54	2.06	3.08	1,61
	<b>Narrow</b>	1.21	1.82	2.42	3.64	1.91
<b>End thickness</b> Spessore spalla Stärke der Seitenwand Épaisseur de chaque joue Espesor lateral mm		30.00 (+ 35 Bumper Rail)				

## Cross sections



COMPACT



NARROW