

# PRESENTATION

## TORTUGA DUAL

# TORTUGA DUAL



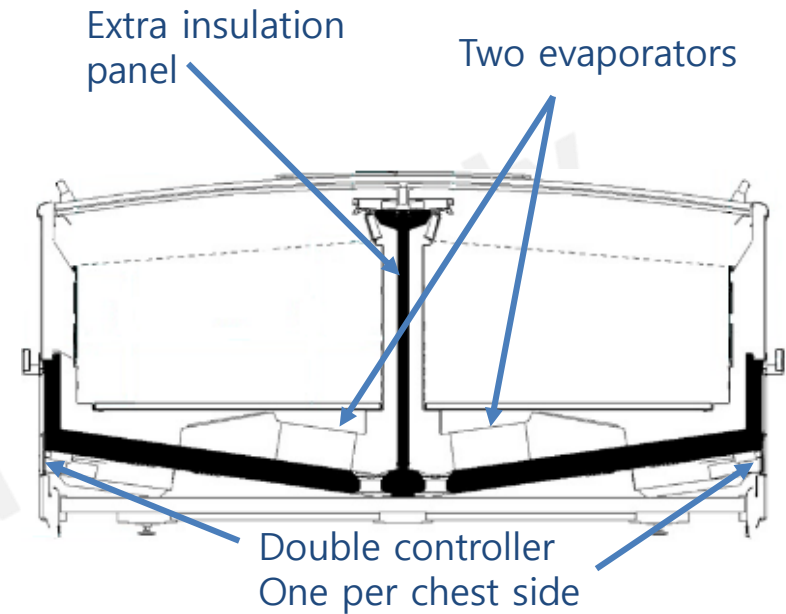
**Improved performance and refreshed aesthetics**

# TORTUGA DUAL

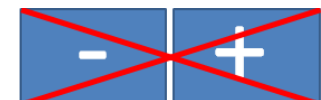
## Dual technology

**Dual evaporator architecture** is the new main asset of Tortuga Dual. This new characteristic feature gives as **benefits** for our customers :

- Third party certified **3L1 performance @ -34°C** saturated suction temperature or 3M1 @ -6.5°C
- **Double controller** cooling circuit
- **60% on defrost time saving** reducing significantly chest total energy consumption
- **Simplified island maintenance.** Each chest can be stopped independently



OR and ONLY



OR



Application temperature set from factory.  
Not reversible version

# TORTUGA DUAL

COSTAN 



4

## Main advantages

### Tortuga Dual main advantages are :

- Double independent evaporators , one on each chest side
- Increased storage volume thanks to its upper elevated loading line from 400 to 450 mm
- Enhanced resistance to condensation due to new aeraulic design and smart additional devices
- New appealing bumper design under the glass that reinforce perceived quality of robustness

For internal use only

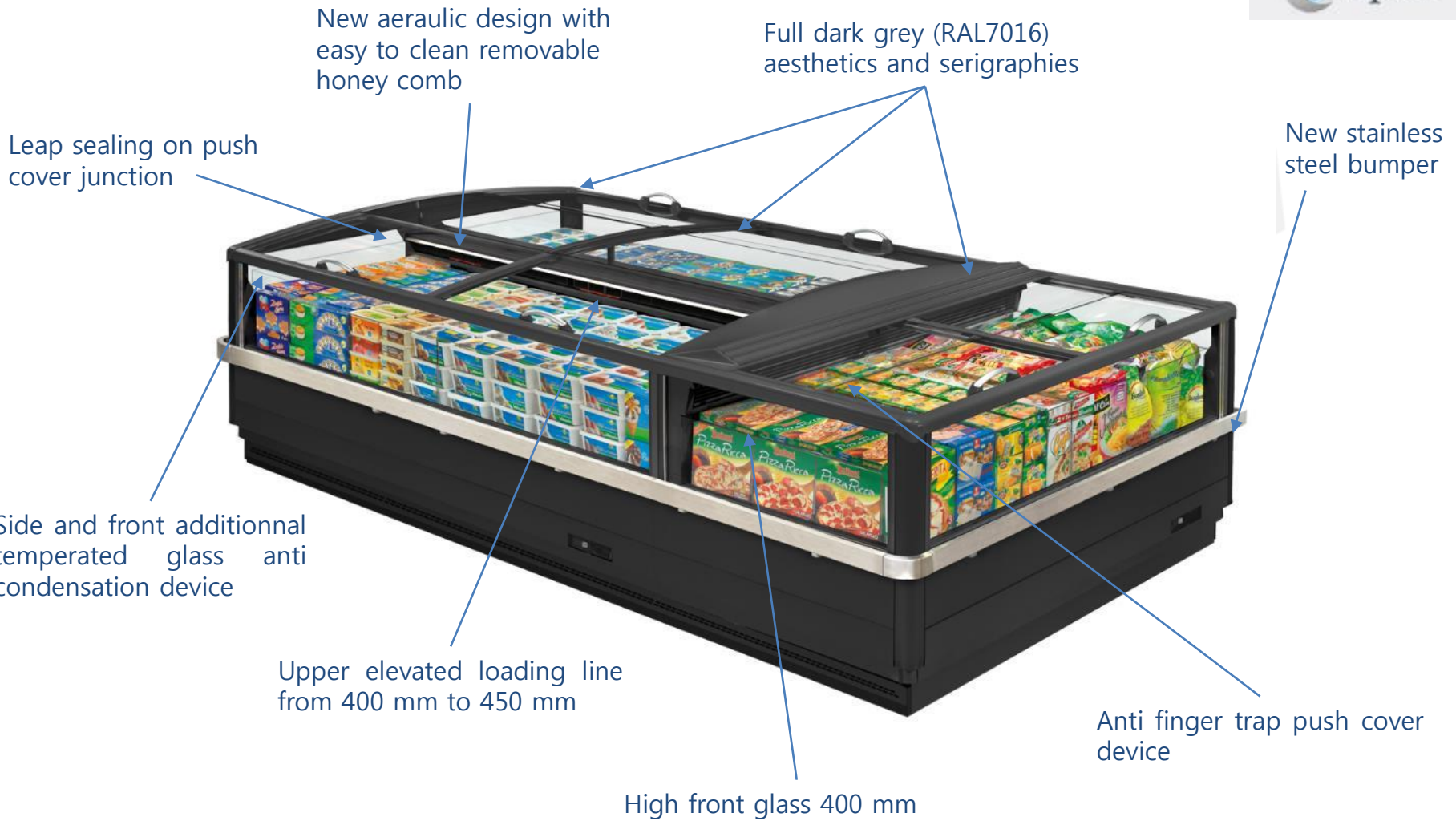
# TORTUGA DUAL

COSTAN 

 Epta

5

## Product at a glance



# TORTUGA DUAL

COSTAN

Epta

## Product at a glance

### TORTUGA DUAL product range

**Width** : 2000 mm only

**Lengths** : 250 and 375 linears, 200 EOL

**Applications** (not reversible on site) : frozen 3L1 or medium temperature 3M2\*, 3M1\*

**Lighting position** : without, center or handrail or both

**LED offer** : value or advance

**Fluids** : CO<sub>2</sub> transcritical or HFC R134A, R404A, R407A/C/ /F, R410A, R422D, R448, R449, R452A

**Controllers** : Danfoss AK-CC 550A + AKV + 4 PT1000 or Carel MPXPRO + E2V + 4 NTC

**Controllers position** : one on each chest side

**Defrost** : electrical

**Electronics** : SRTS

**Covers** : push

**End wall** : panoramic

**Aesthetic and cover color** : Dark grey (RAL 7016)

**Food display** : wired grid, elevated bottom

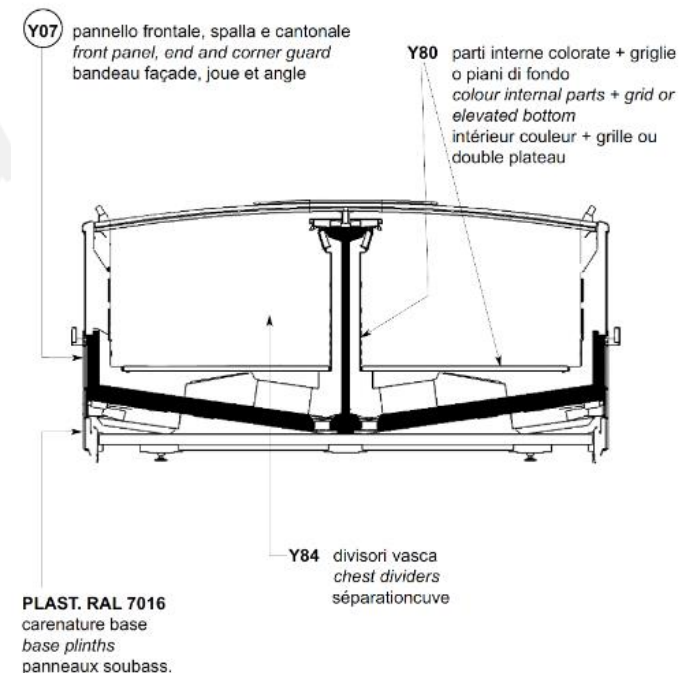
**Ticket holder position** : Pyramid

**Ticket holder type** : Universal rail, Paper 40 or 52mm

**Chest dividers**: glass, wired (125, 160, 195, 275, 370)



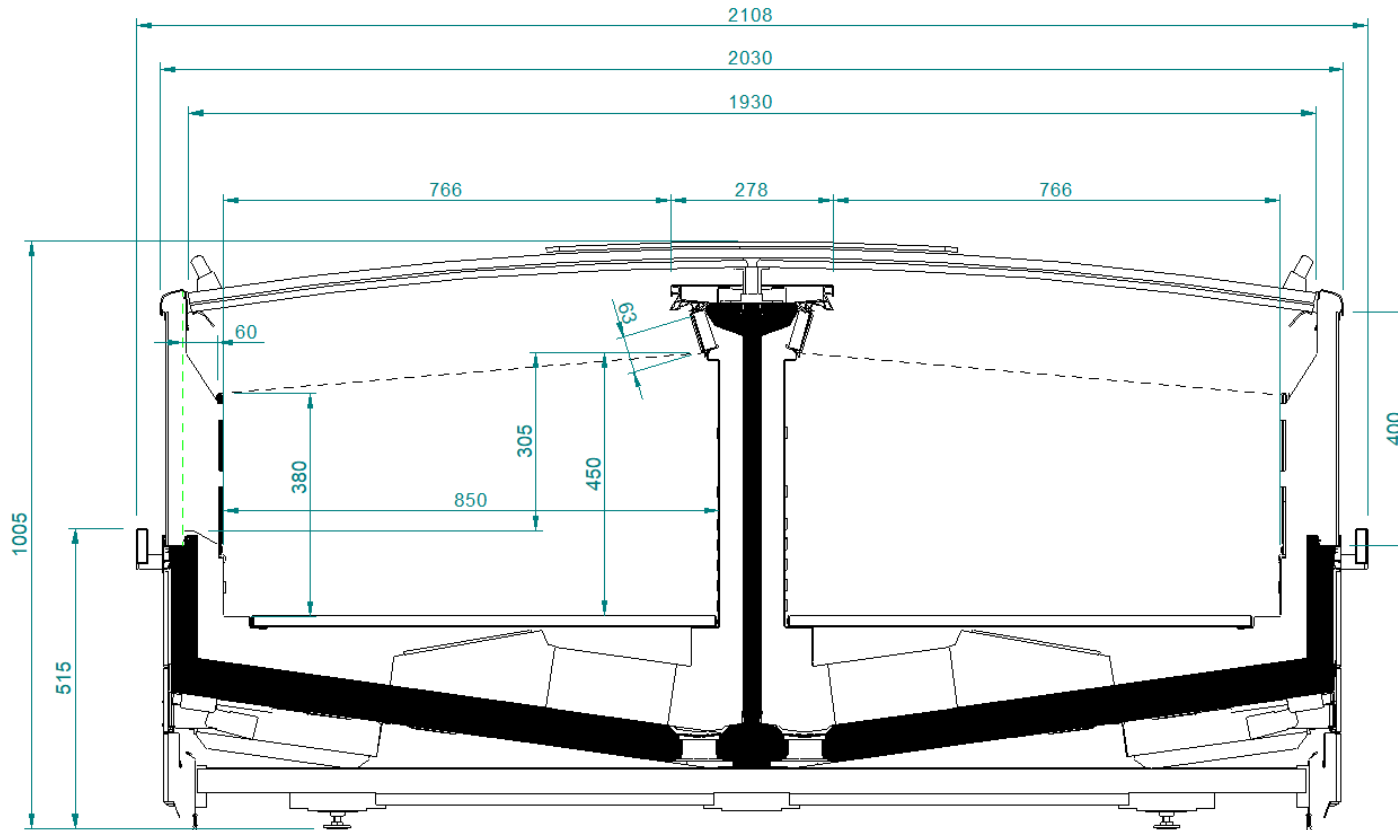
188 version is not available



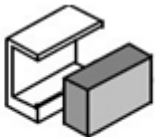



\* : Food display height to be adjusted

# TORTUGA DUAL

## Dimensions – Linear

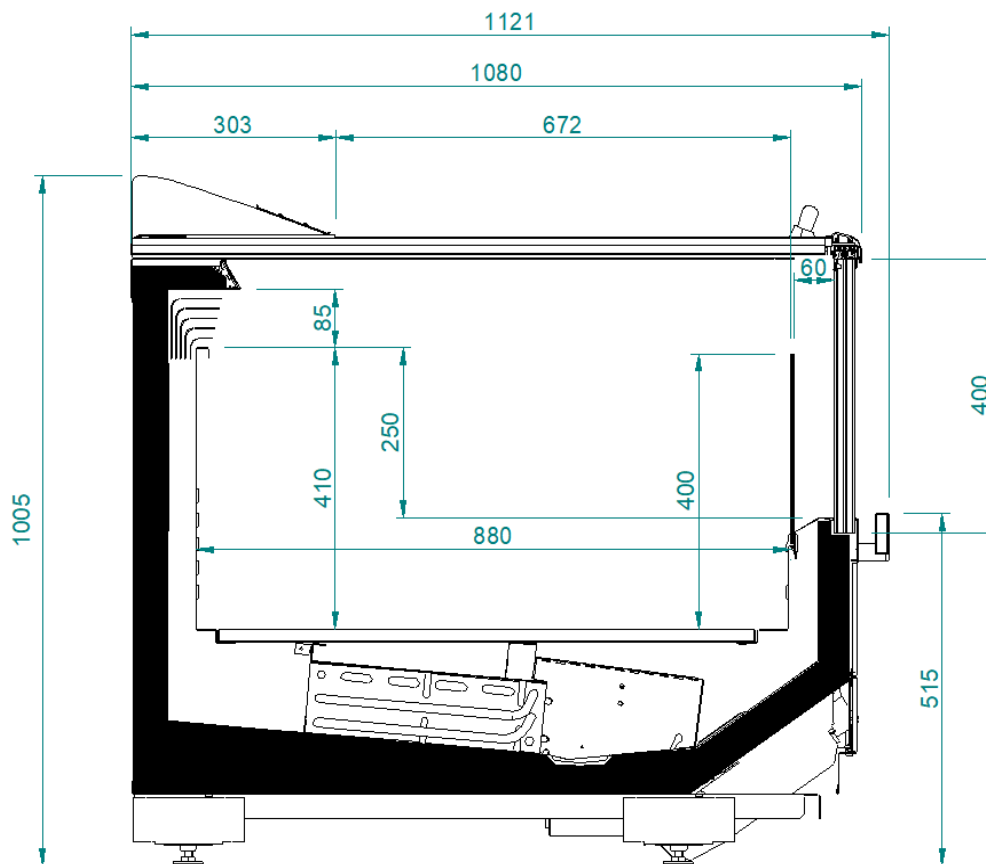


Models	L  (mm)	L  (mm)	V  (dm <sup>3</sup> )	TDA  (m <sup>2</sup> )
	Glass Terminal End			
250	2500	2634	1750	5,1
375	3750	3884	2630	7,7



# TORTUGA DUAL

## Dimensions – EOL



Models	L (mm)	V (dm <sup>3</sup> )	TDA (m <sup>2</sup> )
EOL	2016	679	1,7



**COSTAN**   
epta refrigeration  
[www.costan.com](http://www.costan.com)

---

  
**Epta**  
Advanced Solutions  
for your Store



Epta S.p.A. participates in the ECC programme for:  
Refrigerated display cabinets (RDC). Check ongoing validity  
of certificate online: [www.eurovent-certification.com](http://www.eurovent-certification.com)  
or using [www.certiflash.com](http://www.certiflash.com)



---

[www.eptarefrigeration.com](http://www.eptarefrigeration.com)