

# PRESENTATION

## TORTUGA REVERSE

# TORTUGA REVERSE



**Boost our food offer flexibility and simplify store seasonality management**

# TORTUGA REVERSE

## Reverse technology

Epta Reverse technology is a new approach of chest freezer use in frozen food area. Only dedicated to CO2 transcritical system, this new product feature has been designed in a very simple and reliable way that make it easy to be implemented in all stores.

Epta Reverse technology allows Tortuga chest freezer to be switched from low temperature application to medium temperature one in an user friendly way. This operation just requires to turn a key lock located next to the controller. No assistance from frigorist needed.

Compared to a single temperature chest, Epta Reverse technology only needs an additionnal suction pipe coming from machinery room. Extra installation cost are limited. All pipings, 3 way or non return valves and by pass are already factory mounted in Tortuga Reverse chest freezer.

Powered by Danfoss™ dedicated device and controller, this breakthrough innovation will help you to boost your food offer flexibly, adapt your segmentation to shopper need, improve cross merchandising effect on sales and simplify store seasonality management.

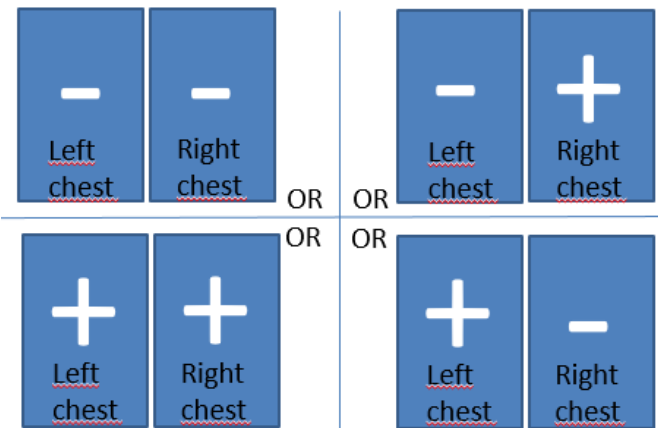
User friendly Key switch device



Factory mounted 3 lines piping



4 display solutions



# TORTUGA REVERSE

COSTAN 



4

## Main advantages

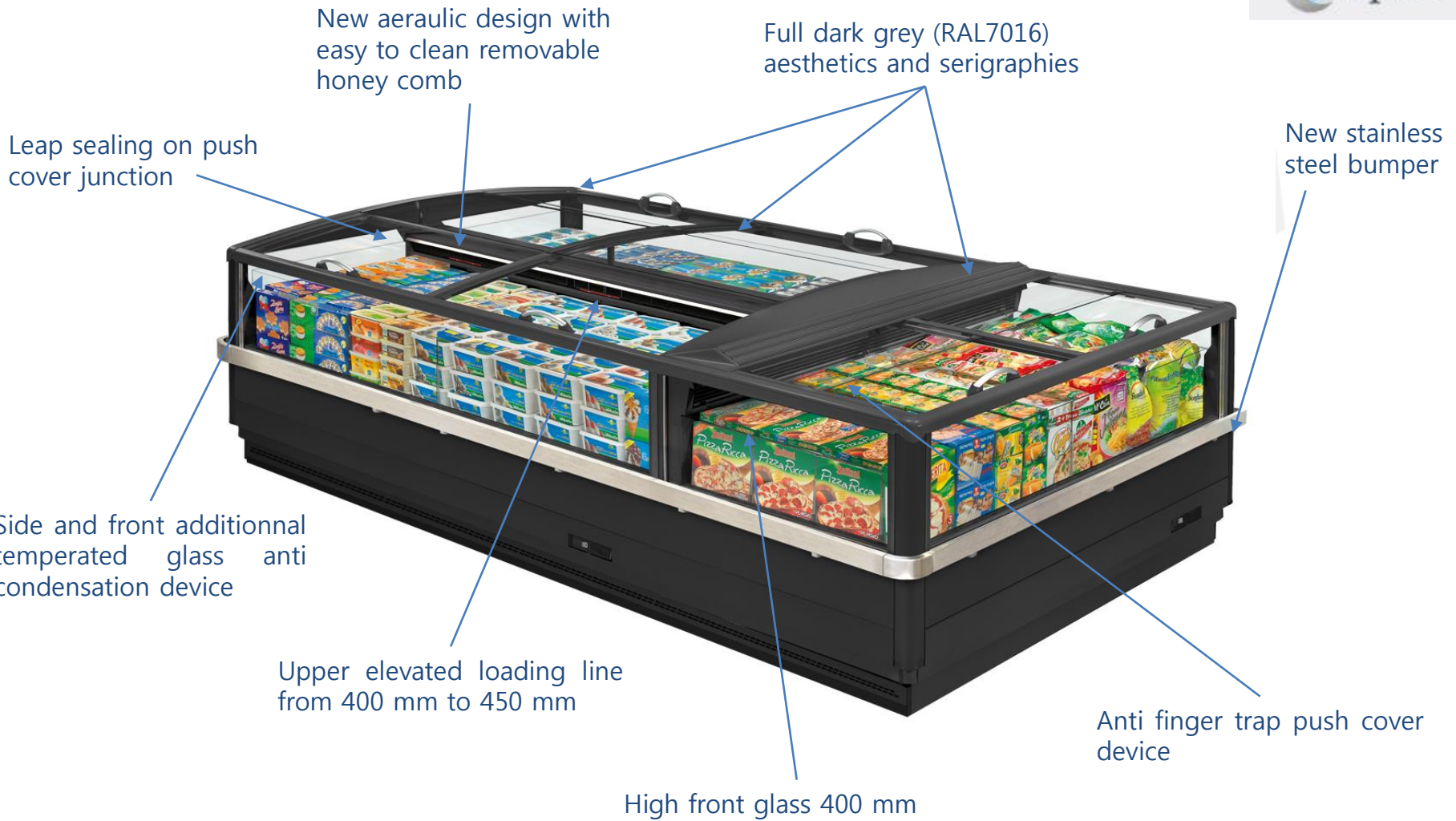
### Tortuga Reverse main advantages are :

- Seasonality management linked our innovative Epta Reverse temperature switch device
- Double independent evaporators , one on each chest side, able to manage two application temperatures in the same island
- Increased storage volume thanks to its upper elevated loading line from 400 to 450 mm
- Enhanced resistance to condensation due to new aeraulic design and smart additional devices
- New appealing bumper design under the glass that reinforce perceived quality of robustness

For internal use only

# TORTUGA REVERSE

## Product at a glance



# TORTUGA REVERSE

COSTAN

Epta

## Product at a glance

### TORTUGA REVERSE product range

**Width** : 2000 mm only

**Lengths** : 250 and 375 linears, 200 EOL

**Temperature class** : 3L1, 3M2\*, 3M1\*

**Lighting position** : without, center or handrail or both

**LED offer** : value or advance

**Fluids** : CO<sub>2</sub> transcritical

**Controllers** : Danfoss AK-CC 550A

**Controllers position** : one on each chest side

**Defrost** : electrical

**Electronics** : SRTS

**Covers** : push

**End wall** : panoramic

**Aesthetic and cover color** : Dark grey (RAL 7016)

**Food display** : wired grid, elevated bottom

**Ticket holder position** : Pyramid

**Ticket holder type** : Universal rail, Paper 40 or 52mm)

**Chest dividers** : glass, wired (125, 160, 195, 275, 370)

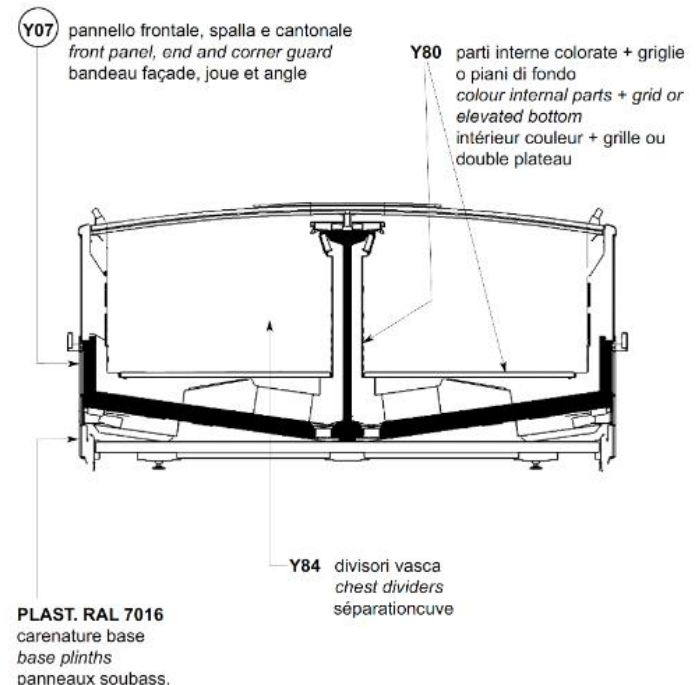


**WARNING**

188 version is not available

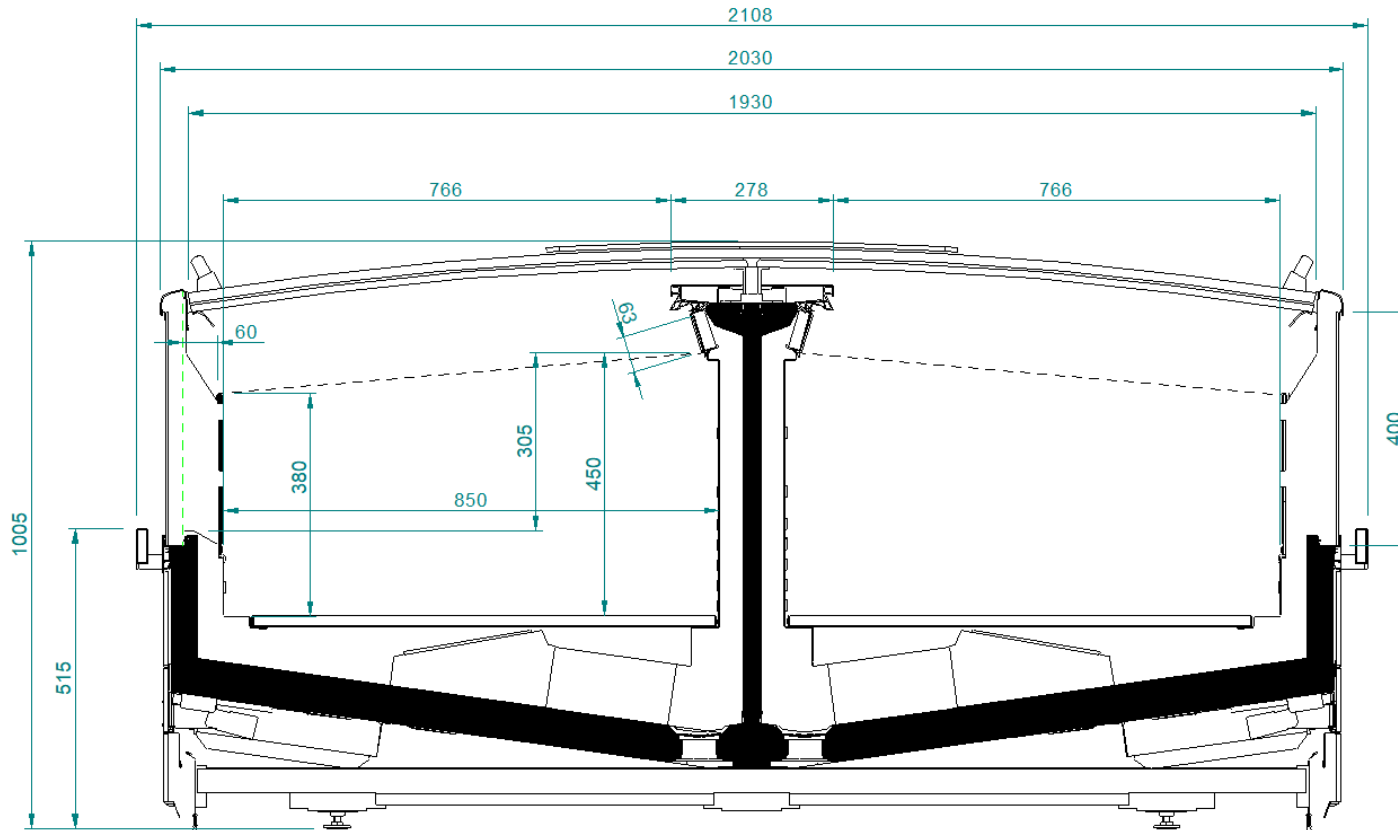
CO<sub>2</sub> transcritical only



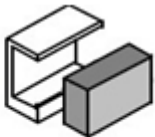

Danfoss AKCC 550 controller only



# TORTUGA REVERSE

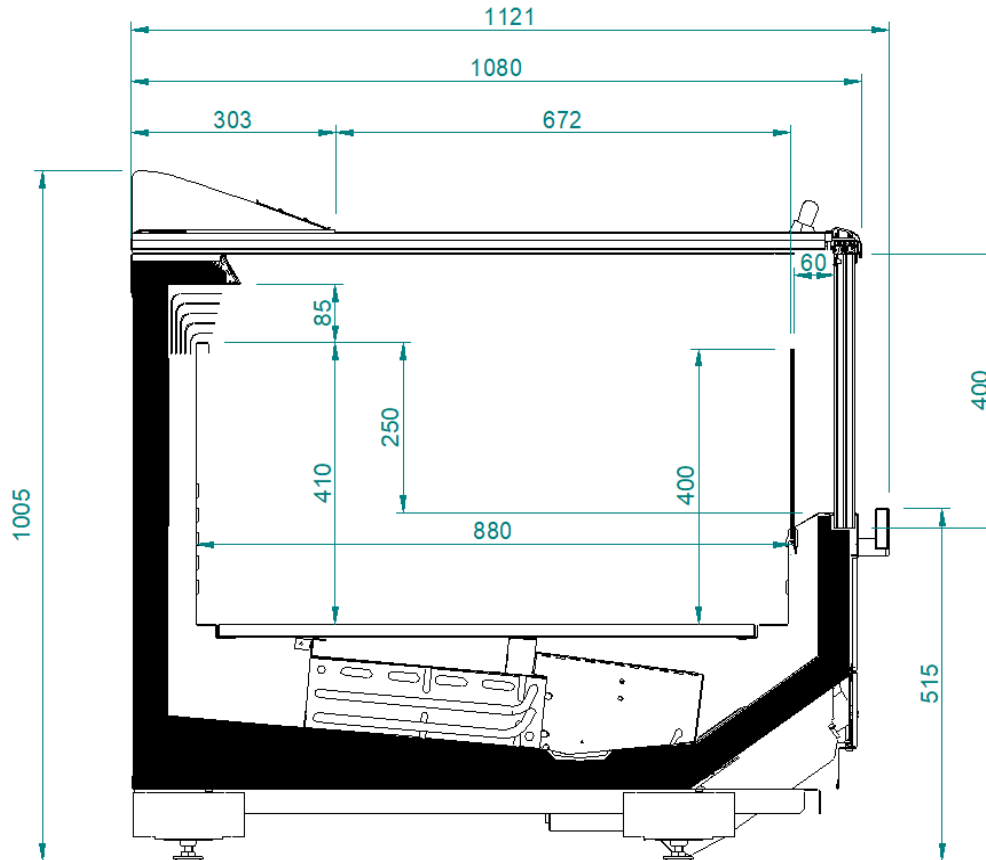
## Dimensions – Linear



Models	L  (mm)	L  (mm)	V  (dm <sup>3</sup> )	TDA  (m <sup>2</sup> )
	Glass Terminal End			
250	2500	2634	1750	5,1
375	3750	3884	2630	7,7

# TORTUGA REVERSE

## Dimensions – EOL



Models	L (mm)	V (dm <sup>3</sup> )	TDA (m <sup>2</sup> )
EOL	2016	679	1,7



**COSTAN**   
eptarefrigeration  
[www.costan.com](http://www.costan.com)

---

  
**Epta**  
Advanced Solutions  
for your Store



Epta S.p.A. participates in the ECC programme for:  
Refrigerated display cabinets (RDC). Check ongoing validity  
of certificate online: [www.eurovent-certification.com](http://www.eurovent-certification.com)  
or using [www.certiflash.com](http://www.certiflash.com)



---

[www.eptarefrigeration.com](http://www.eptarefrigeration.com)