



Velvet N Tower

COSTAN 


Epta

Displaying
excellence
with
elegance
and
versatility!



BACK TO SUMMARY

COSTAN



Velvet N Tower

PRODUCT OVERVIEW



This information is confidential and was prepared by Epta solely for our internal use. It is not to be relied on by any third party without Epta prior written consent. Marketing 09/2020

1 Product Overview

- Introduction
- Product range
- Dimensions
- Product pictures



BACK TO SUMMARY

COSTAN 



This information is confidential and was prepared by Epta solely for our internal use. It is not to be relied on by any third party without Epta prior written consent. Marketing 09/2020

Velvet N
Tower

PRODUCT OVERVIEW



Serve-over refrigerated **Velvet N TOWER** designed to display (on more levels) and preserve fresh non-packed products, able to handle merchandising with an eye-catching display.

Suitable for medium and large shops, as well as specialist stores, such as butchers and delicatessens, it is particularly suitable for the presentation of fresh meat cuts.

Vevet N Tower is available in **two heights, 1500mm and 1700mm**, with **two rows of glass shelves**.



BACK TO SUMMARY

COSTAN



This information is confidential and was prepared by Epta solely for our internal use. It is not to be relied on by any third party without Epta prior written consent. Marketing 09/2020

Velvet N Tower

PRODUCT OVERVIEW



Overview

Product range

Velvet N Tower 1500mm & 1700mm heights

1 Depth (mm):

Overall depth: 1105

Base deckplate: 610

4 Lengths (mm):

937-1250-1875-2500

Aesthetics:

Design,
Design Evolution
Studio and Style

Superstructure:

- Window opening single glass (WO)
- S/steel uprights and shelves brackets

2 rows of shelves:

- glass shelves
- fixed position
- 300mm for 1500H
- 350mm for 1700H

Lighting (roof and shelves):

- Advance & Value
- Natura-3000K-4000K

Lighting (basement):

3000K-4000K

Loading line (base deckplate & shelves):

- 70mm for 1500H
- 100mm for 1700H

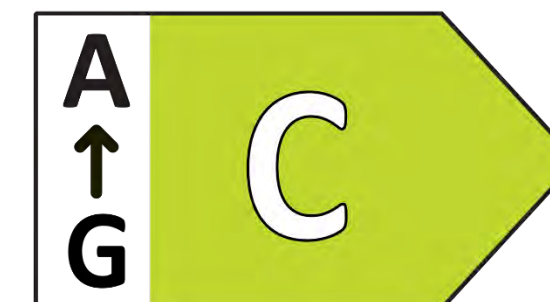
Performance:

3M1

Evaporating temperature:

-7,5°C

Energy class:



BACK TO SUMMARY

COSTAN



This information is confidential and was prepared by Epta solely for our internal use. It is not to be relied on by any third party without Epta prior written consent. Marketing 09/2020

Velvet N Tower

PRODUCT OVERVIEW



Overview

Product range

Velvet N Tower
1500mm
&
1700mm
heights

Base deckplate:

- Stainless steel
- Colour painted

Rear sliding lids
(standard):

Double glazing

Roof:

Double glazing

Endwalls (terminal
and central):

Double glazing

Working plate:

- 185mm (ergonomic)
- 225mm
- 315mm

High efficiency
fans:

- 24V fans
- IP67 protection

Evaporator:

- Standard
- Painted

Defrost:

Electrical

Electrical box:

- Essential
- Value
- Advance

Controllers:

- Danfoss
- Dixell
- Carel
- Eliwell
- Wurm

Refrigerants:

CO₂(R744), R404A, R134a,
R422A, R448A, R449A,
R452A, R407A, R407C,
R407F, R410A, Glycol



BACK TO SUMMARY

COSTAN



This information is confidential and was prepared by Epta solely for our internal use. It is not to be relied on by any third party without Epta prior written consent. Marketing 09/2020

Velvet N
Tower

PRODUCT OVERVIEW

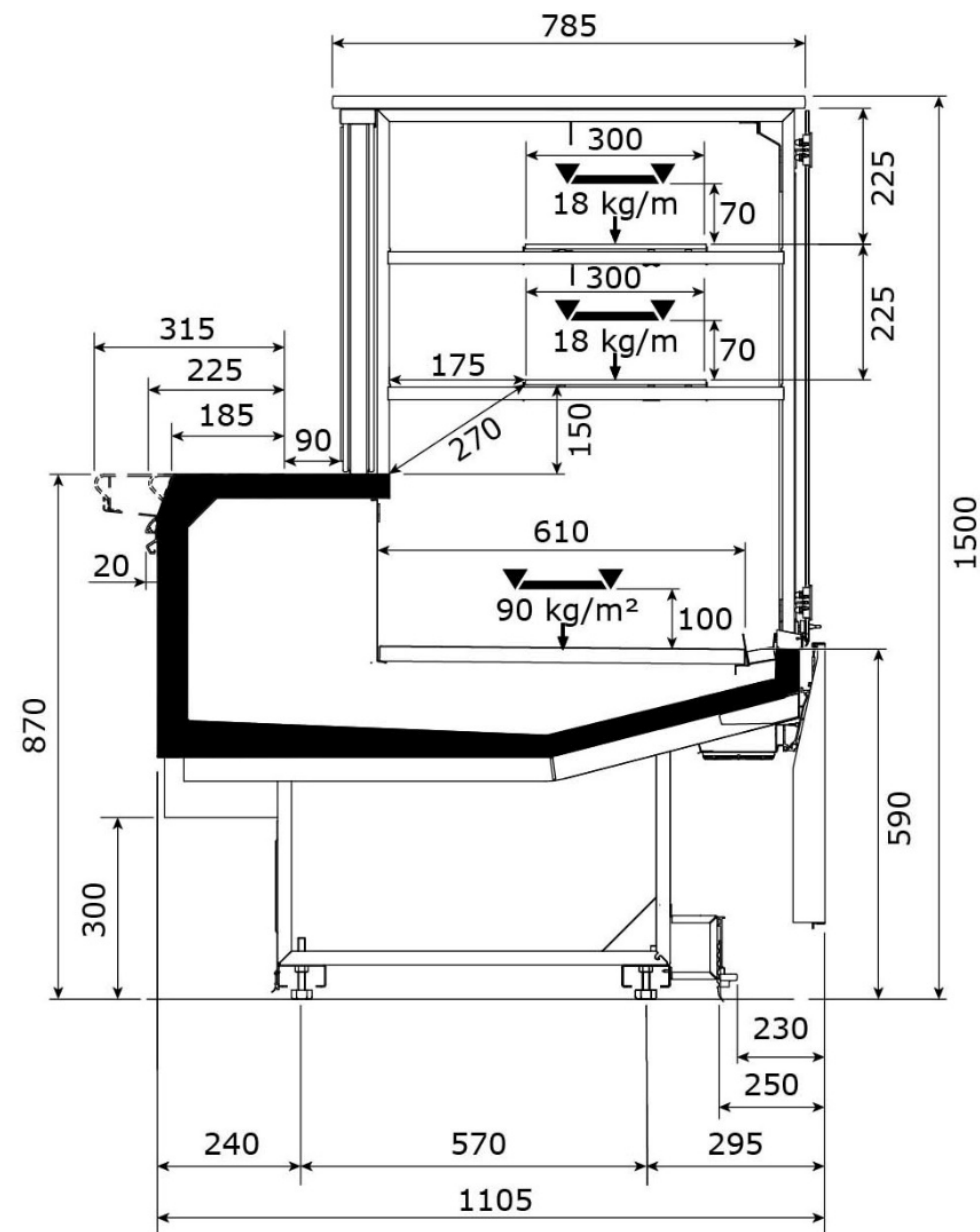


Overview

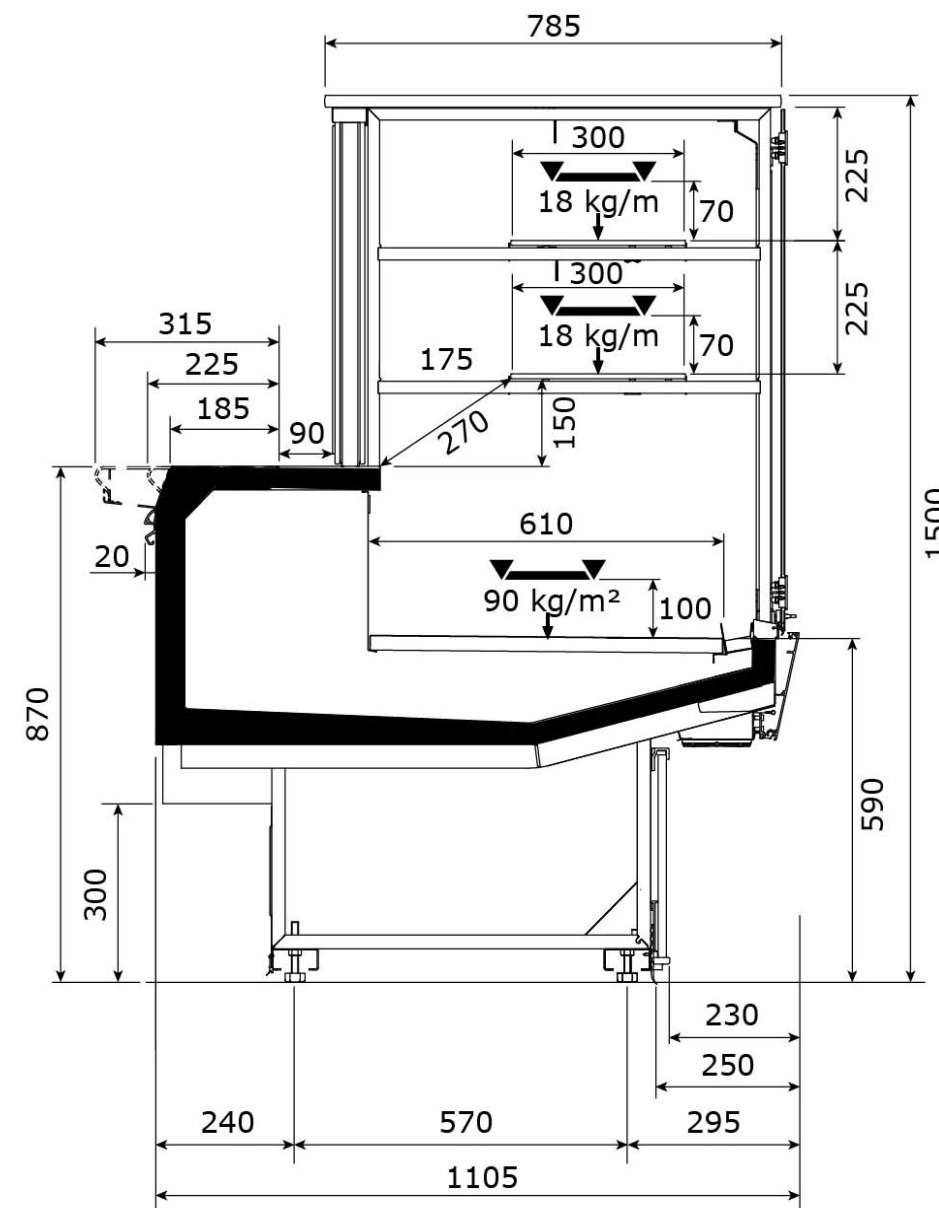
Dimensions

SIDE VIEW

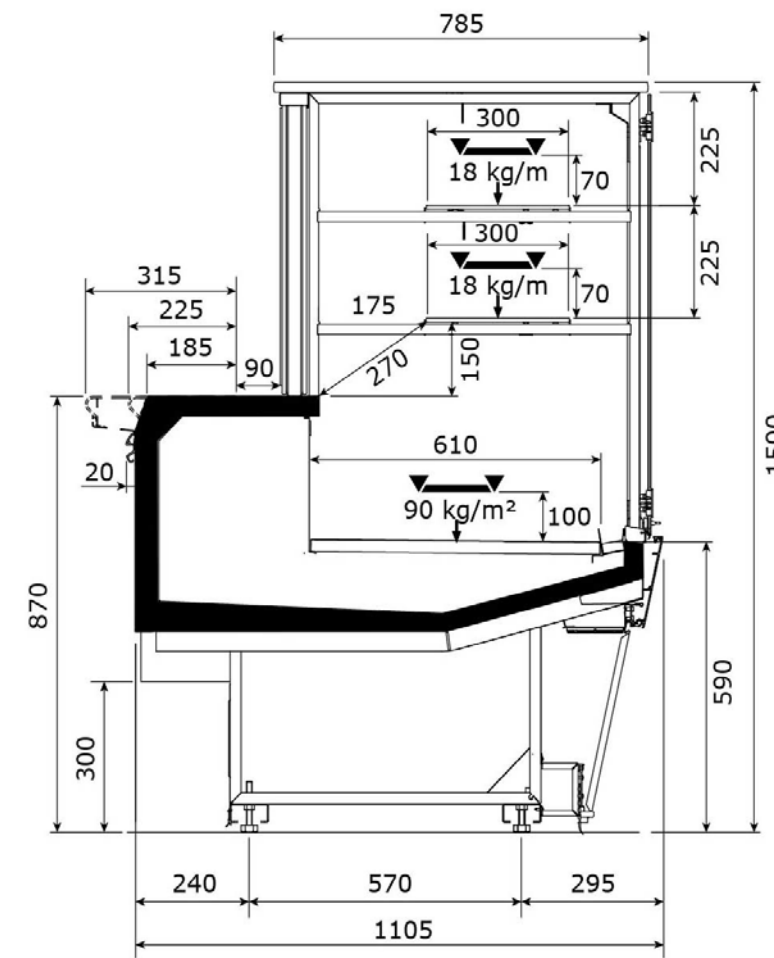
1500mm height



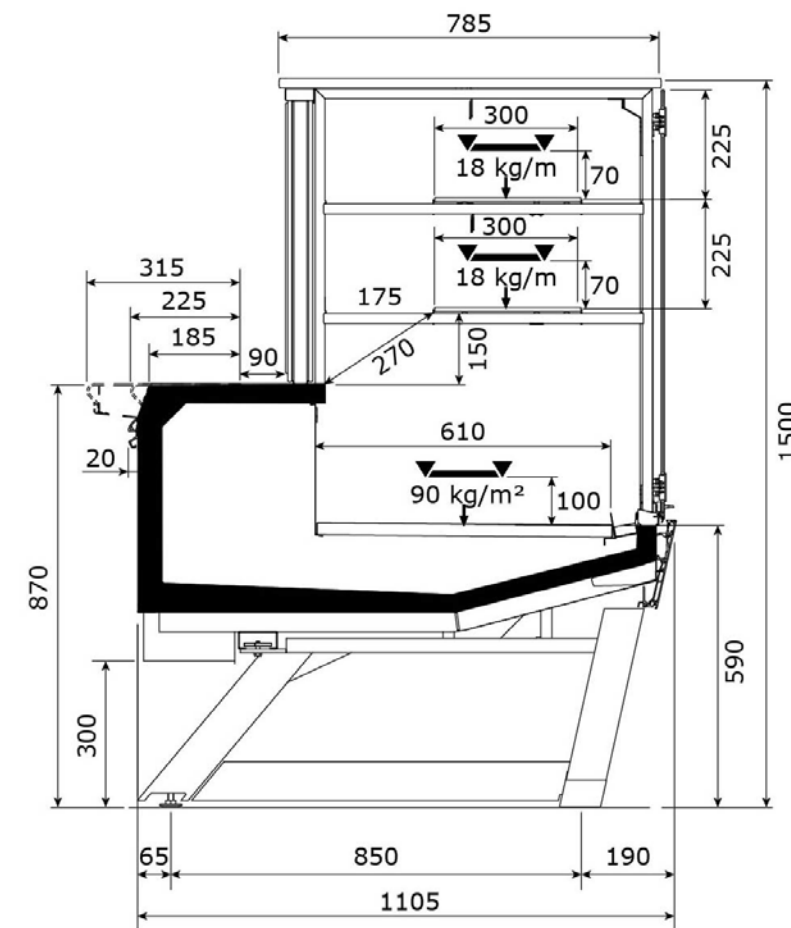
DESIGN



STUDIO



STYLE



STYLE legs



BACK TO SUMMARY



Velvet N Tower

PRODUCT OVERVIEW



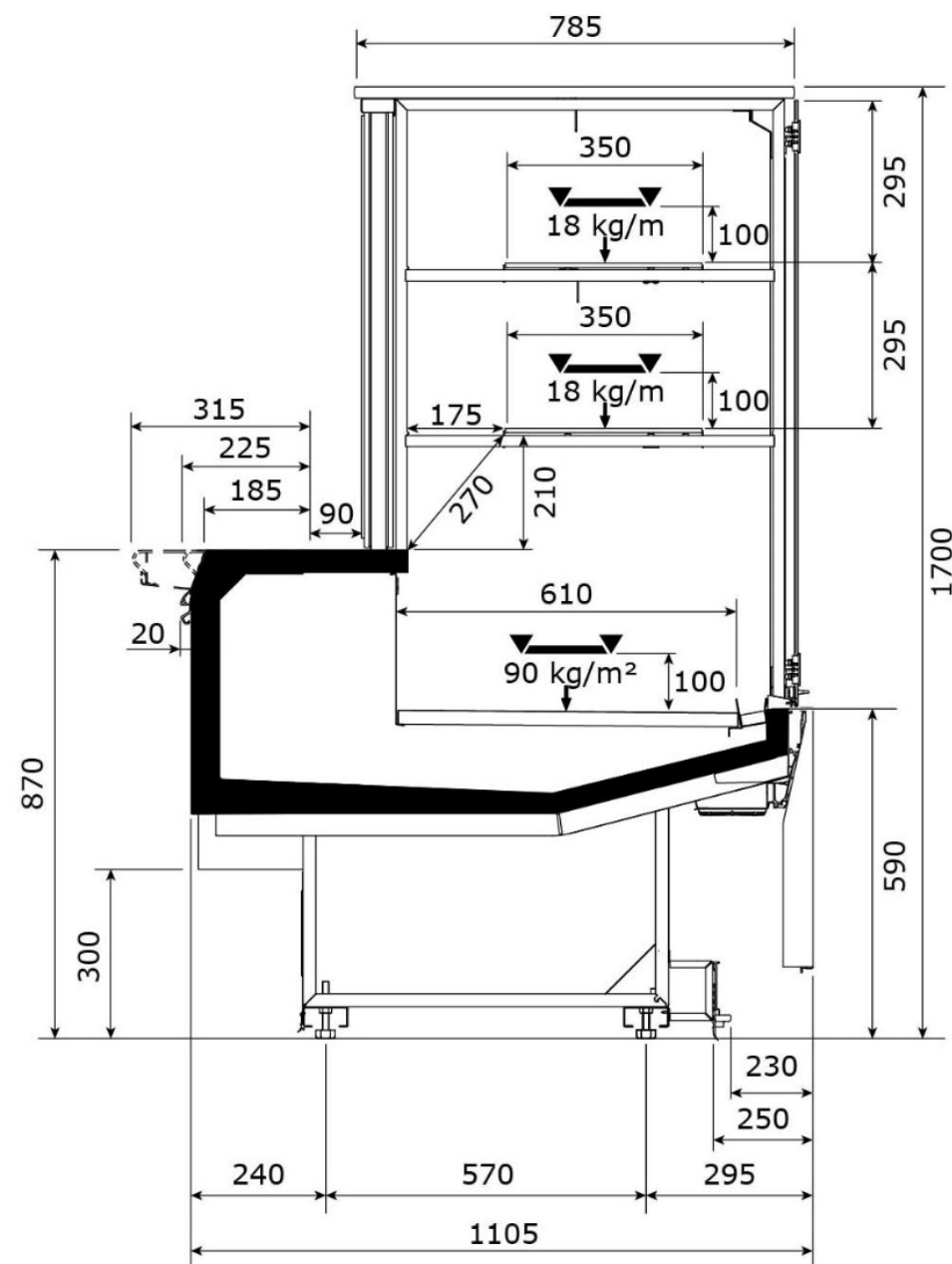
This information is confidential and was prepared by Epta solely for our internal use. It is not to be relied on by any third party without Epta prior written consent. Marketing 09/2020

Overview

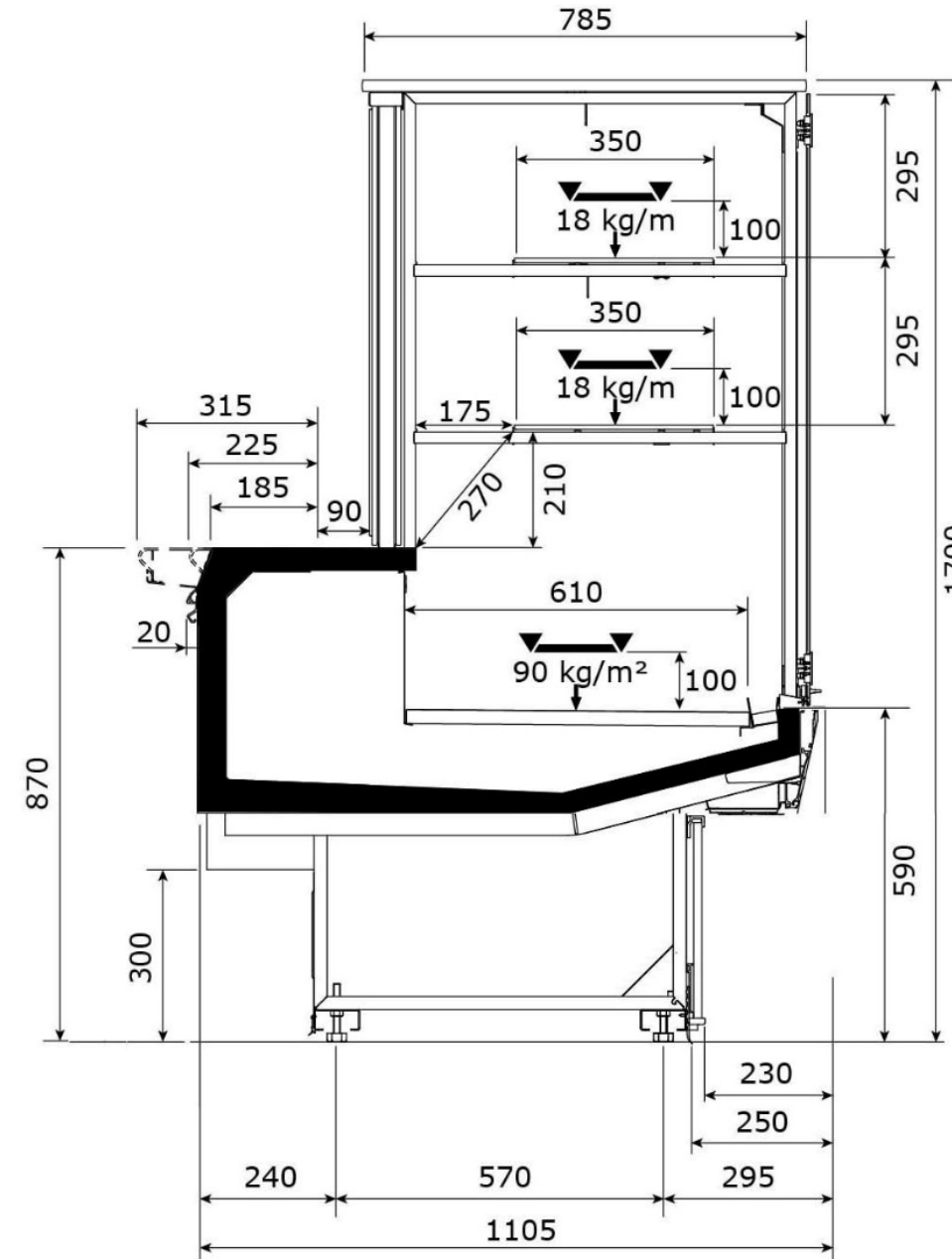
Dimensions

SIDE VIEW

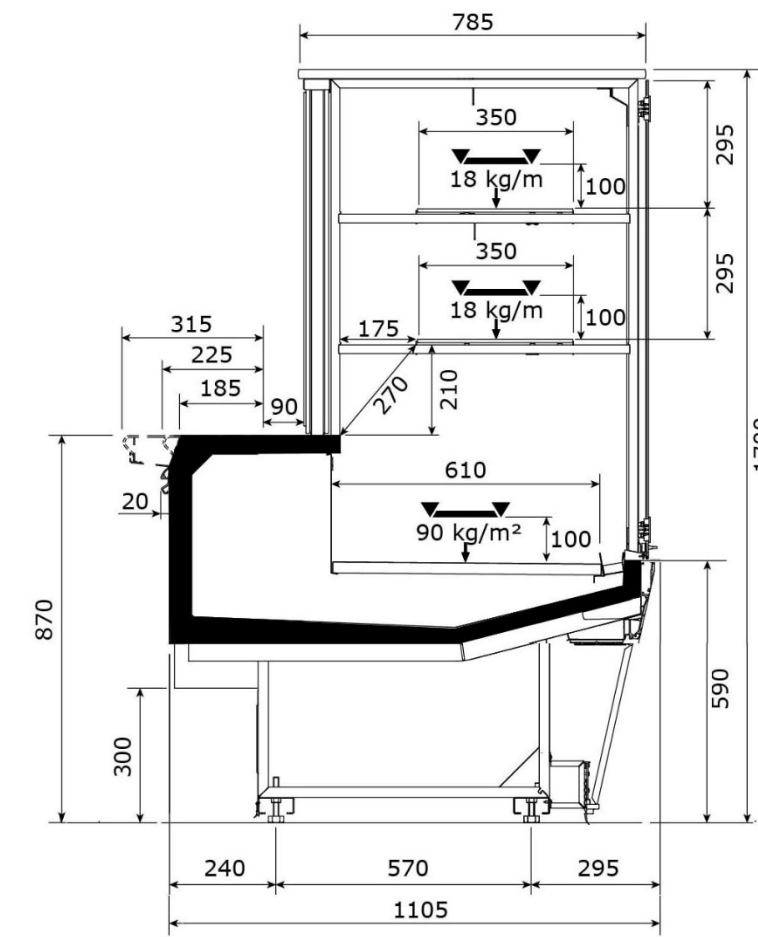
1700mm height



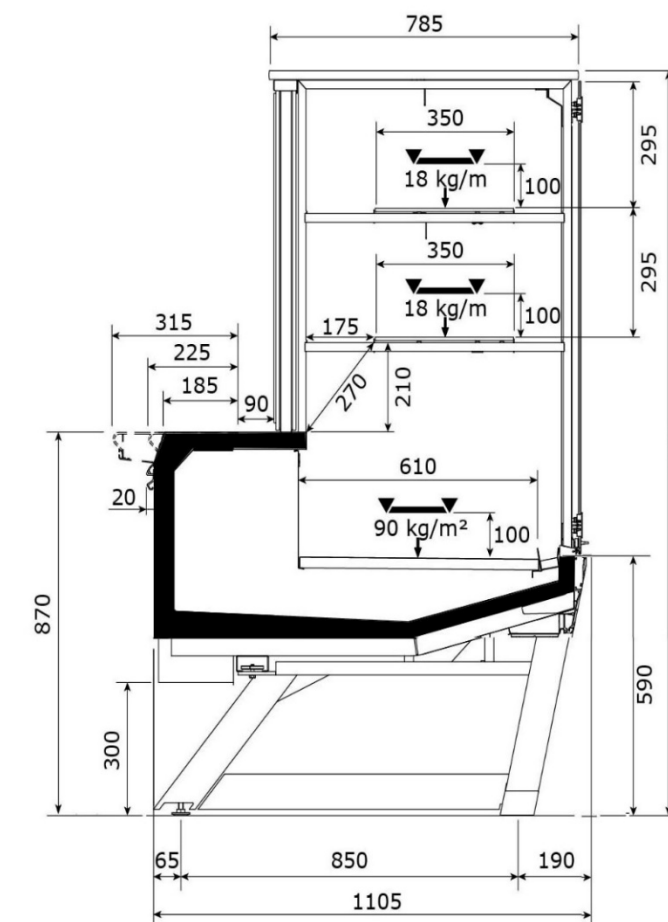
DESIGN



STUDIO



STYLE



STYLE legs



BACK TO SUMMARY



Velvet N Tower

PRODUCT OVERVIEW



This information is confidential and was prepared by Epta solely for our internal use. It is not to be relied on by any third party without Epta prior written consent. Marketing 09/2020



Overview

Product pictures



BACK TO SUMMARY



Velvet N Tower

PRODUCT OVERVIEW



This information is confidential and was prepared by Epta solely for our internal use. It is not to be relied on by any third party without Epta prior written consent. Marketing 09/2020





BACK TO SUMMARY

COSTAN



This information is confidential and was prepared by Epta solely for our internal use. It is not to be relied on by any third party without Epta prior written consent. Marketing 09/2020

Velvet N
Tower

PRODUCT OVERVIEW





Velvet N Tower

PRODUCT OVERVIEW



This information is confidential and was prepared by Epta solely for our internal use. It is not to be relied on by any third party without Epta prior written consent. Marketing 09/2020





BACK TO SUMMARY



This information is confidential and was prepared by Epta solely for our internal use. It is not to be relied on by any third party without Epta prior written consent. Marketing 09/2020

Velvet N Tower

PRODUCT OVERVIEW





BACK TO SUMMARY



Velvet N Tower

PRODUCT OVERVIEW

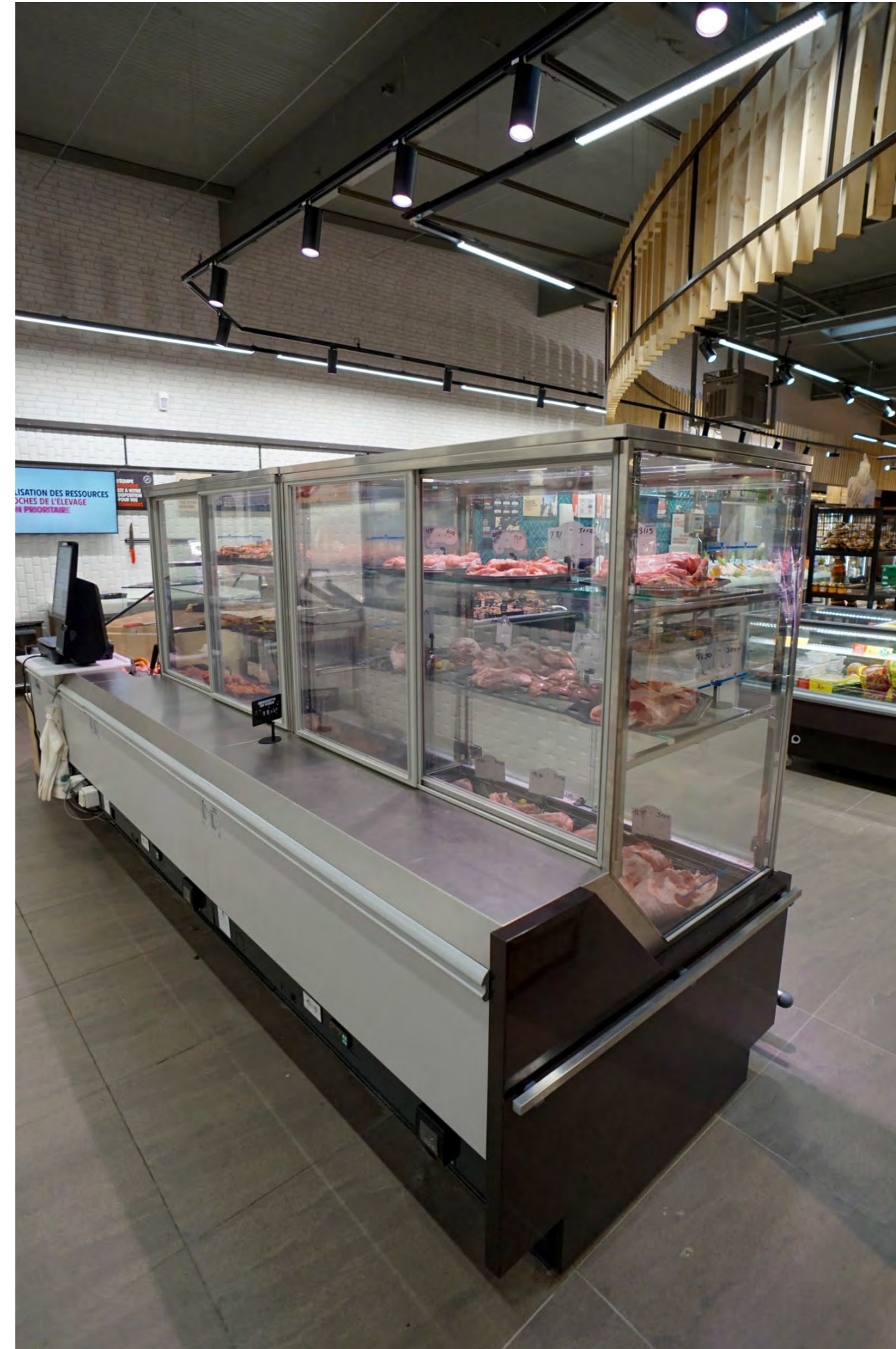


This information is confidential and was prepared by Epta solely for our internal use. It is not to be relied on by any third party without Epta prior written consent. Marketing 09/2020





BACK TO SUMMARY



This information is confidential and was prepared by Epta solely for our internal use. It is not to be relied on by any third party without Epta prior written consent. Marketing 09/2020

Velvet N Tower

PRODUCT OVERVIEW



COSTAN 

www.costan.com



COSTAN  



Epta S.p.A. participates in the ECC programme for: Refrigerated display cabinets (RDC).
Check ongoing validity of certificate online:
www.eurovent-certification.com
or using www.certiflash.com