

# PRESENTATION

GRANVISTA NEXT OPEN

# GranVista Next Open

COSTAN 

 Epta

2



## Welcome to Next generation!!!

## Overview

- [Product at a glance](#)
- [Highlights](#)
- [Product range](#)
- [Availability](#)

Internal use only

# OVERVIEW

## Product at a glance

GranVista Next Open is now available in two versions :

### Advance execution

*First in class cabinet :*

- *More merchandising*
- *High flux lighting*
- *Stainless steel bumper*
- *Customizable aesthetic*



### Value execution

*Just what you need,  
nothing more :*

- *Same performance*
- *Same loading Volume*
- *All purpose aesthetic*



## Highlights

### So many reasons to buy GranVista Next Open

- **More merchandising** for the **same price**
- **Lower energy consumption** compared to **Lion**
- **Outstanding High Flux LED** lighting **exclusive** for GranVista Next Open cabinets
- **Family Feeling** as the rest of the **GRANFIT** range for a **revolution of the shopping experience**
- **Reduction of total cost of ownership** with **optimized materials, smart design** and **user friendly** features



Back to Main Menu

# OVERVIEW

## Highlights

Much more merchandising...

+6,6%  
T.D.A.\*

+10%  
Volume

Up to 8  
rows of  
shelves

Better  
lighting

...without energy consumption increase



# OVERVIEW

COSTAN ❄️

Epta

Product range

## GranVista Next Open is Available in

2 **Heights** : H20 (2110 mm) & H22 (2260 mm)

3 **Widths** : Compact (C), Narrow (N) and Large (L)

4 **Lengths** : 125, 188, 250 and 375 linears

2 **Fronts** : 295, 445 with glass

5 **Open EOL** : 133 (N), 151 (C), 181 (N&L), 196 (N&L) and 232 (N&L)

2 **Closed EOL** : 133 (N), 196 (N&L)

**Temperature class** : 3H, 3M2, 3M1

**LED lighting** : canopy, shelves

**Fluids** : CO<sub>2</sub> (45 bar, 45 bar pumped, 60 bar), R134a, R404a, R407a, R407c, R407f, R410a, R422d, R448a, R449a, Coolant

**Controllers** : AF energy, Carel, Danfoss, Dixell, Eliwell, Montoulier, Wurm,

**Ticket holder position** : Shelves, Front

**Ticket holder type** : Universal rail, Slimline rail, Freeline rail, Paper (25, 30, 40, 52mm), Electronic (Pricer, Altierre, Samsung)

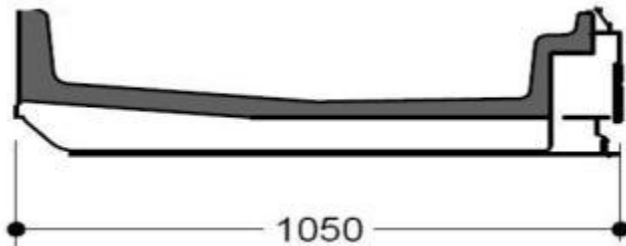
Marketing 04/2017



Back to Main Menu

This information is c

## Three chest depths adapted to your store conditions

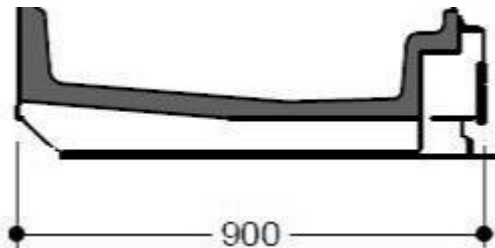


### **LARGE (1050 mm)**

- Maximum storage Large
- Made for hypermarkets and Hard discount

### **NARROW (900 mm)**

- Costan best seller
- Flexible solution for all kind of store



### **COMPACT (750 mm)**

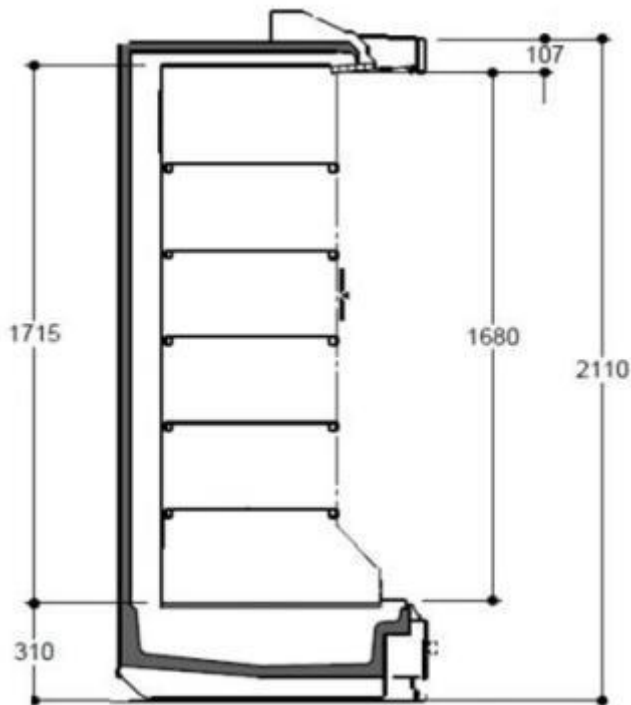
- Ideal solution for small and convenience store
- Reduced footprint
- Give more space on your aisles





# OVERVIEW

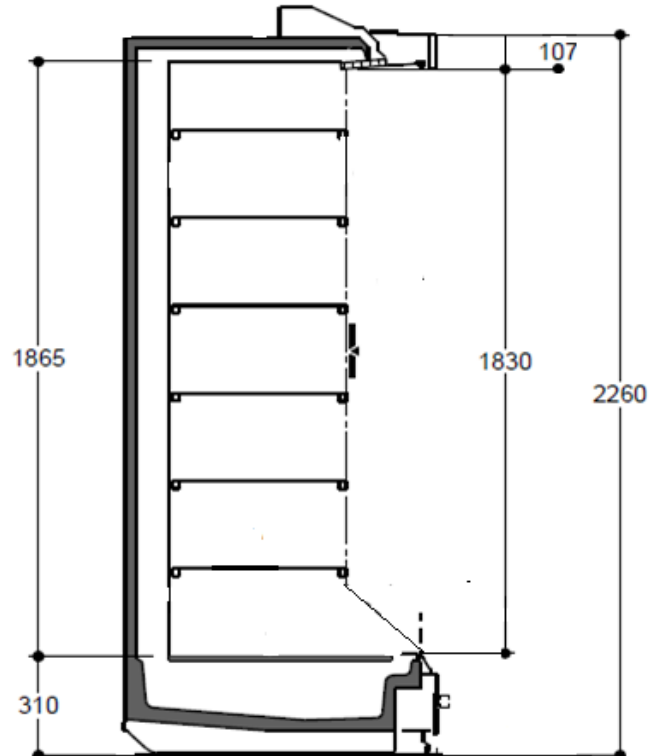
## Two heights depending on your market needs



**H20 (2110 mm)**

- Optimized for easy loading
- Up to 7 shelves rows
- Full loading capacity (no loading line)

Marketing 04/2017



**H22 (2260 mm)**

- Bigger Volume
- Up to 8 shelves rows
- Full loading capacity (no loading line)



Back to Main Menu

# OVERVIEW

Ordering : from week 16 to 19 2017

First release : week 21 2017

For internal use only





[www.costan.com](http://www.costan.com)



Costan S.p.A. participates in the ECC programme for:  
Refrigerated display cabinets (RDC). Check ongoing validity of  
certificate online: [www.eurovent-certification.com](http://www.eurovent-certification.com) or using  
[www.certiflash.com](http://www.certiflash.com)



[www.eptarefrigeration.com](http://www.eptarefrigeration.com)