

# PRESENTATION

GRANVISTA NEXT

# GranVista Next

COSTAN ❄️

Epta

2



## Welcome to Next generation!!!

## Overview

- [Product at a glance](#)
- [Highlights](#)
- [Product range](#)
- [Availability](#)

Internal use only

# OVERVIEW

GranVista Next is now available in two versions:

## Advance execution

*First in class cabinet :*

- *Frameless doors*
- *Antibacterial handle*
- *High flux lighting*
- *Stainless steel bumper*
- *Customizable aesthetic*



## Value execution

*Just what you need,  
nothing more :*

- *Same performance*
- *Same loading Volum*
- *All purpose aesthetic*



# OVERVIEW

COSTAN 

 Epta

5

## Highlights

### So many reasons to buy GranVista Next

- **More merchandising** for the **same price**
- **Less energy consumption** thanks to new Costan **Epta Dual Airflow**
- **Better product visibility** with Costan **frameless doors**
- **Outstanding High Flux LED** lighting **exclusive** for GranVista Next cabinets
- **Family Feeling** as the rest of the **GRANFIT** range for a **revolution of the shopping experience**
- **Reduction of total cost of ownership** with **optimized materials, smart design** and **user friendly** features



Back to Main Menu

## GranVista Next is Available in

2 **Heights** : H20 (2110 mm) & H22 (2260 mm)

3 **Widths** : Compact (C), Narrow (N) and Large (V)

4 **Lengths** : 125, 188, 250 and 375 linears

5 **Open EOL** : 133 (N), 151 (C), 181 (N&L), 196 (N&L) and 232 (N&L)

2 **Closed EOL** : 133 (N), 196 (N&L)

**Temperature class** : 3H, 3M2, 3M1\*, 3M0\*

**LED lighting** : canopy, mullion, shelves

**Fluids** : CO<sub>2</sub> (45 bar, 45 bar pumped, 60 bar), R134a, R404a, R407a, R407c, R407f, R410a, R422d, R448a, R449a, Coolant

**Controllers** : AF energy, Carel, Danfoss, Dixell, Eliwell, Montouliou, Wurm

**Doors** : Standard, Antireflective, Frameless

**Ticket holder position** : Shelves, Chest, Front

**Ticket holder type** : Universal rail, Slimline rail, Freeline rail,

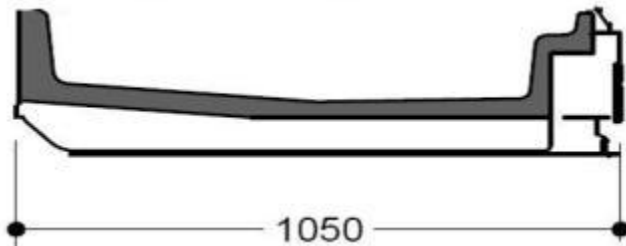
**Paper** (25, 30, 40, 52mm), **Electronic** (Pricer, Altierre, Samsung)



\*With electric defrost

[Back to Main Menu](#)

## Three chest depths adapted to your store conditions

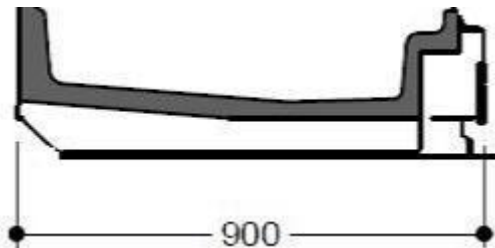


### Large (1050 mm)

- Maximum storage Large
- Made for hypermarkerts and Hard discount

### Narrow (900 mm)

- Costan best seller
- Flexible solution for all kind of store

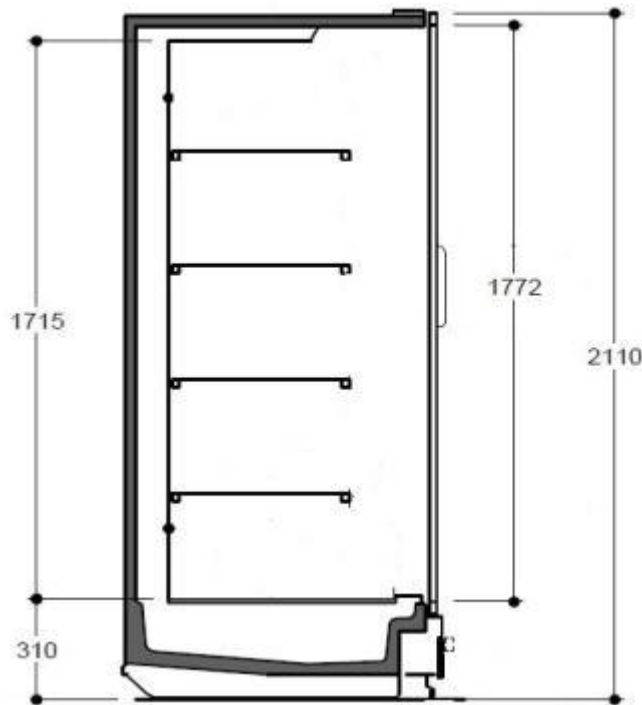


### Compact (750 mm)

- Ideal solution for small and convinience store
- Reduced footprint
- Give more space on your aisles



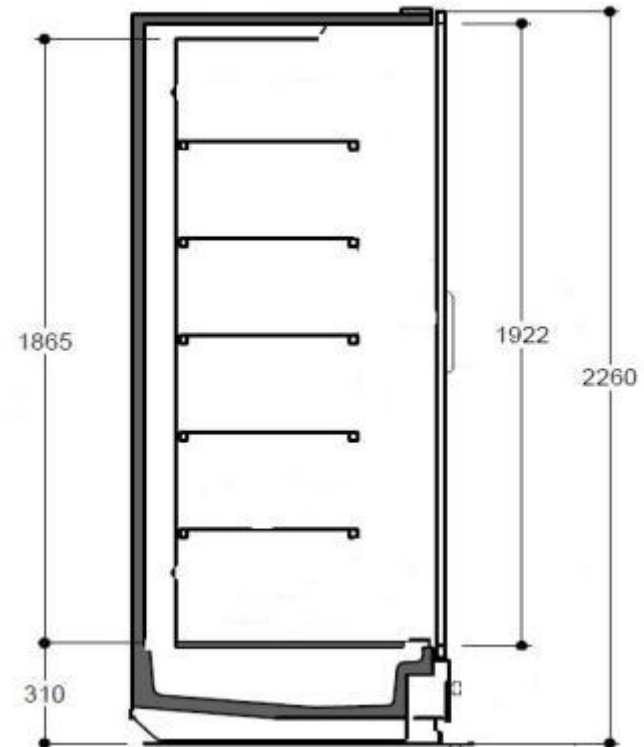
## Two heights depending on your market needs



**H20 (2110 mm)**

- Optimized for easy loading
- Up to 7 shelves rows
- Full loading capacity (no loading line)

Marketing 04/2017



**H22 (2260 mm)**

- Bigger Volum
- Up to 8 shelves rows
- Full loading capacity (no loading line)



Back to Main Menu